



ECO 3

HYDRO 700

DUO 3 WS

DUO 3

HYDRO 750

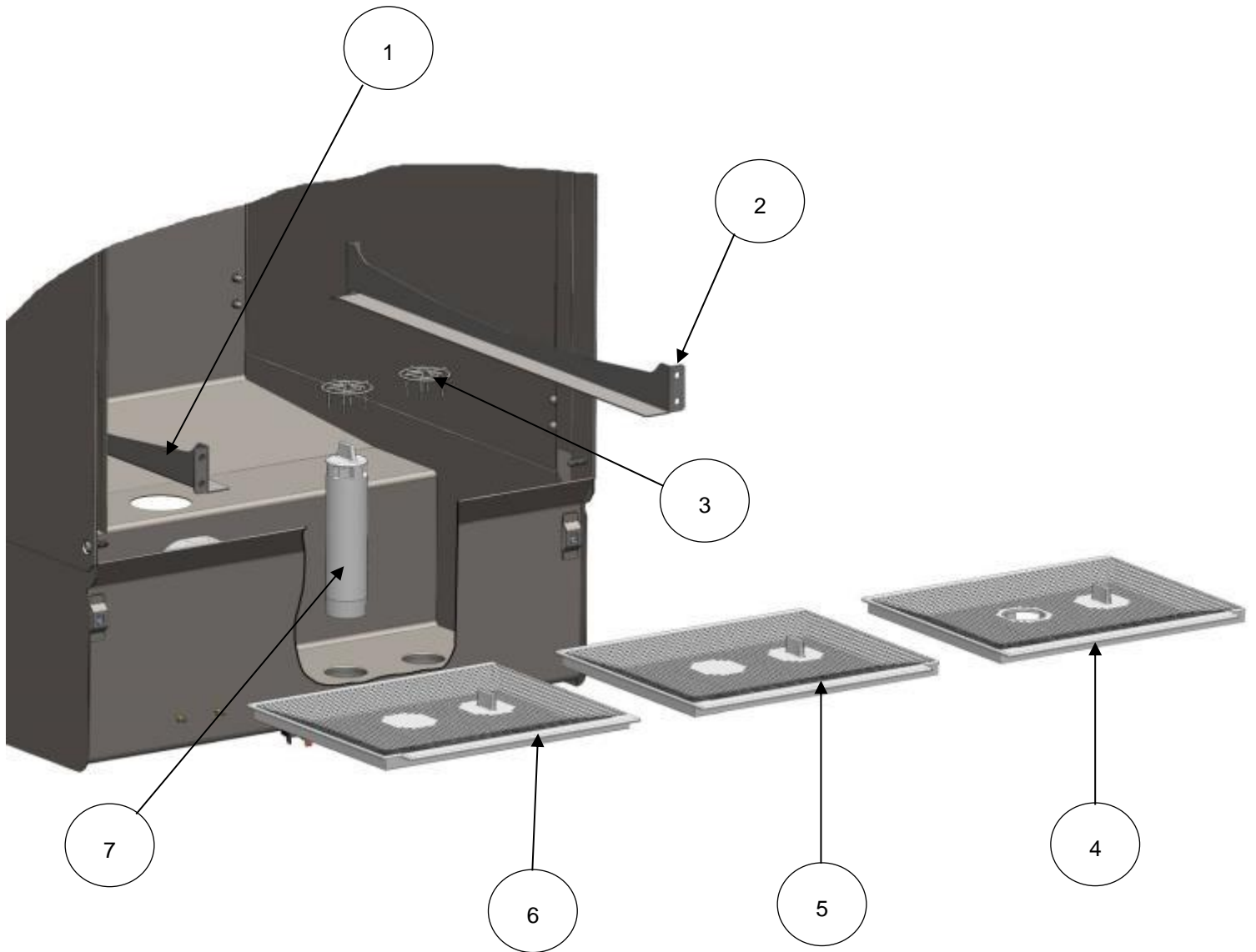
DUO 750 WS

DUO 750



Contents	Page Number
Filters & Basket Supports	4-5
Single Skin Wash Cabinet Assembly - External	6-7
Double Skin Wash Cabinet Assembly - External	8-9
Water Softener Wash Cabinet Assembly - External	10-11
Door Assembly	12-13
Wash Cabinet - Internal	14-15
Air pressure Vessel	16-17
Adjustable Thermostats	18-19
Air Break – Type B	20-21
Air Break – WRAS Approved	22-23
Air Break Tank Assembly	24-25
Internal Water Softener Assembly	26-27
Wash & Rinse system	28-29
Centre Boss	30-31
Rinse Arm	32-33
Base - Non Air Break Machine	34-35
Base - Air Break Machine	36-37
Base – Water Softener Machine	38-39
Rinse Tank	40-41
Rinse Tank – Water Softener	42-43
Wash Pump	44-45
Rinse Pump	46-47
Drain Pump	48-49
Gravity Drain	50-51
Chemical Pumps	52-53
Control Panel	54-55
Control Panel – Water Softener	56-57
Panels	58-59
Accessories	61

Filters & Basket Supports



Filters & Basket Supports

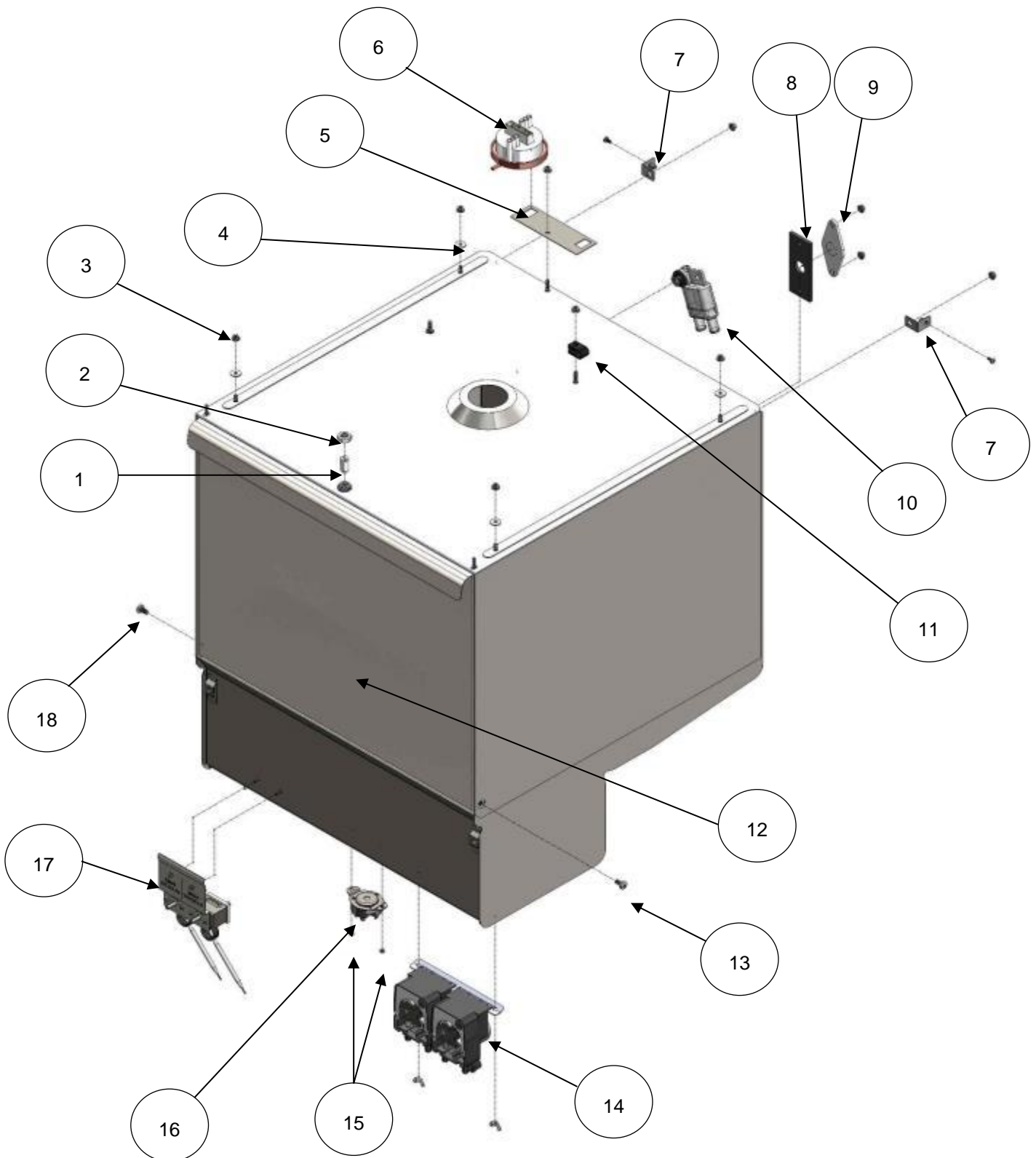
Item	Description	Part Number	Qty	Note
1	Basket ramp - 500mm LH	115.0004	1	
2	Basket ramp - 500mm RH	115.0003	1	
3	Secondary filter - metal	180.0002	2	Only 1 required on gravity drain machine
4	Wash filter right 500mm gravity	230.0004	1	Only required on gravity drain machine
5	Wash filter right 500mm pumped	230.0005	1	Only required on drain pump machine
6	Wash filter left 500mm	230.0006	1	
7	Drain plug	232.0003	1	Only required on gravity drain machine

Single Skin Wash Cabinet Assembly – External

ECO 3

HYDRO 700

HYDRO 750



Single Skin Wash Cabinet Assembly – External

ECO 3

HYDRO 700

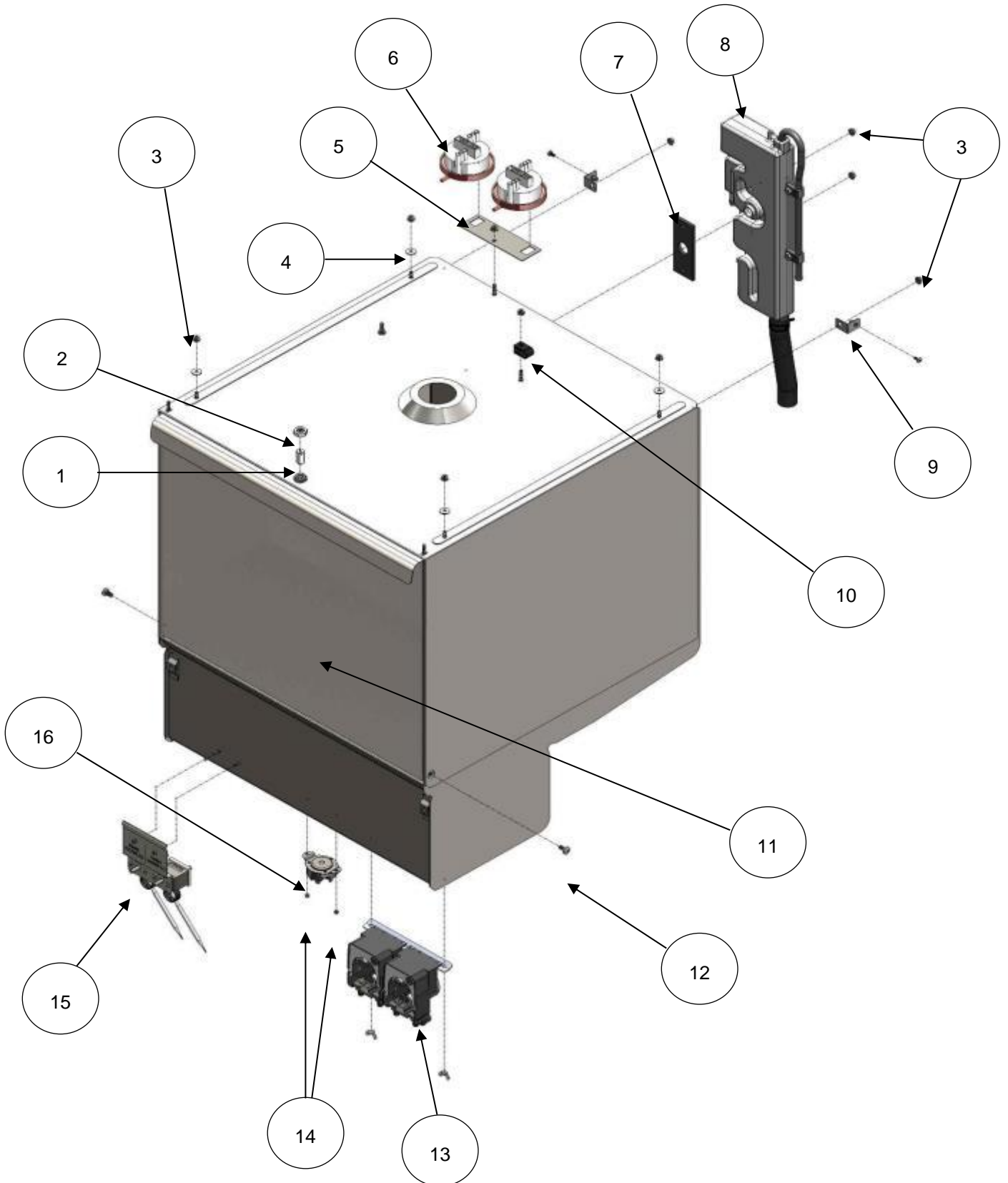
HYDRO 750

Item	Description	Part Number	Qty.	Note
1	Ball catch (M12)	320.0001	1	
2	Thin nut M12	TNUT-12	1	
3	M5 nut – Flanged SS	FNUT-05	11	
4	Flanged bushed 6.2x8.9x15x1.5	330.0001	4	
5	Bracket air pressure switch	102.0003	1	
6	Air pressure switch double	530.0001	1	
7	Bracket – Rear panel	163.0001	2	
8	Seal – Air break	301.0002	1	
9	20mm blanking cover	255.0001	1	
10	Type B air break assembly	-	1	See page 20 - 21
11	Cable cleat #03	331.0001	1	13A machines
	Cable cleat #04	331.0002		30A and 3 phase machines
12	Door assembly 500mm	-	1	See page 12 - 13
13	M6 x 12mm Socket button head screw	SC100	2	
14	Chemical pumps	-	1	See page 48 - 49
15	M3 nut – Flanged SS	FNUT-03	4	
16	Manual reset thermal trip switch – 3 Pole - 85°C	540.0003	1	
17	Adjustable Thermostats	-	1	See page 18 – 19
18	PVC Hose	RT2/2	1	Not shown (Length – 1.04 M)

Double Skin Wash Cabinet – External

DUO 3

DUO 750



Double Skin Wash Cabinet - External

DUO 3

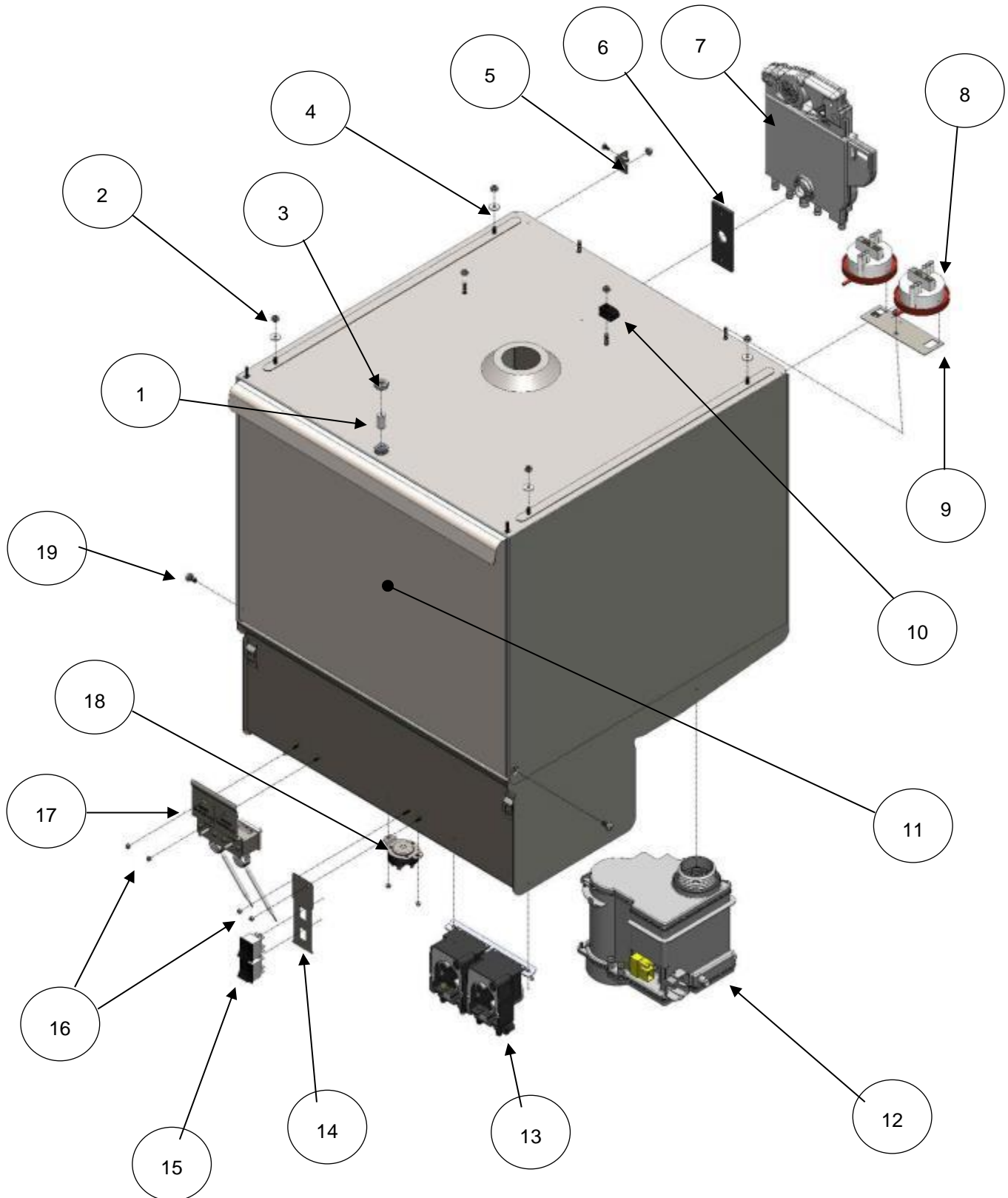
DUO 750

Item	Description	Part Number	Qty.	Note
1	Ball catch (M12)	320.0001	1	
2	Thin nut M12	TNUT-12	1	
3	M5 nut – Flanged SS	FNUT-05	11	
4	Flanged bushed 6.2x8.9x15x1.5	330.0001	4	
5	Bracket air pressure switch	102.0003	1	
6	Air pressure switch double	530.0001	2	
7	Seal – Air break	301.0002	1	
8	Air break assembly (WRAS approved)	-	1	See page 22 – 23
9	Bracket – Rear panel	163.0001	2	
10	Cable cleat #03	331.0001	1	13A machines
	Cable cleat #04	331.0002		30A and 3 phase machines
11	Door assembly 500mm	-	1	See page 12 – 13
12	M6 x 12mm Socket button head screw	SC100	2	
13	Chemical pumps	-	1	See page 48 – 49
14	M3 nut – Flanged SS	FNUT-03	4	
15	Adjustable Thermostats	-	1	See page 18 – 19
16	Manual reset thermal trip switch – 3 Pole – 85°C	540.0003	1	
17	PVC Hose	RT2/2	1	Not shown (Length – 1.04 M)
18	Silicon Hose	RT3/1	1	Not shown (Length – 0.88 M)

Water Softener Wash Cabinet – External

DUO 3 WS

DUO 750 WS



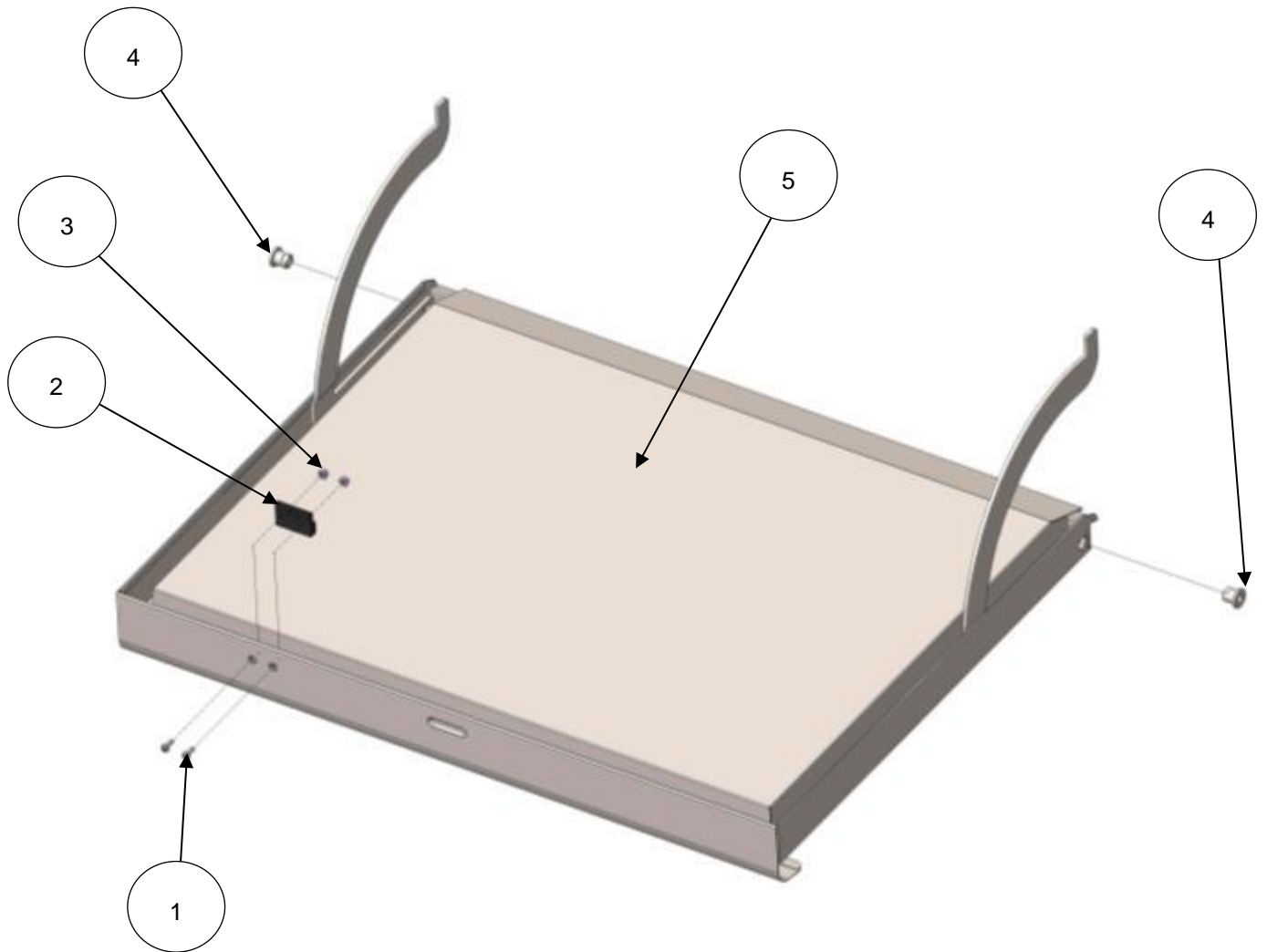
Water Softener Wash Cabinet - External

DUO 3 WS

DUO 750 WS

Item	Description	Part Number	Qty.	Note
1	Ball catch (M12)	320.0001	1	
2	M5 nut – Flanged	FNUT-05	11	
3	Thin nut M12	TNUT-12	1	
4	Flanged bushed 6.2x8.9x15x1.5	330.0001	4	
5	Bracket – Rear panel	163.0001	2	
6	Seal – Air break	301.0002	1	
7	Air break tank assembly	-	1	See page 24 -25
8	Air pressure switch double	530.0001	2	
9	Bracket air pressure switch	102.0003	1	
10	Cable cleat #03	331.0001	1	13A machines
	Cable cleat #04	331.0002		30A and 3 phase machines
11	Door assembly	-	1	See page 12 - 13
12	Water softener assembly	-	1	See page 26 - 27
13	Chemical pumps	-	1	See page 48 - 49
14	Bracket	164.0017	1	
15	Latching switch	501.0003	2	
16	M3 nut – Flanged	FNUT-03	6	
17	Adjustable Thermostats	-	1	See page 18 - 19
18	Manual reset thermal trip switch – 3 Pole – 85°C	540.0003	1	
19	M6 x 12mm Socket button head screw	SC100	2	
20	PVC Hose	RT2/2	1	Not shown (Length – 1.04 M)
21	Silicon Hose	RT3/1	1	Not shown (Length – 0.88 M)

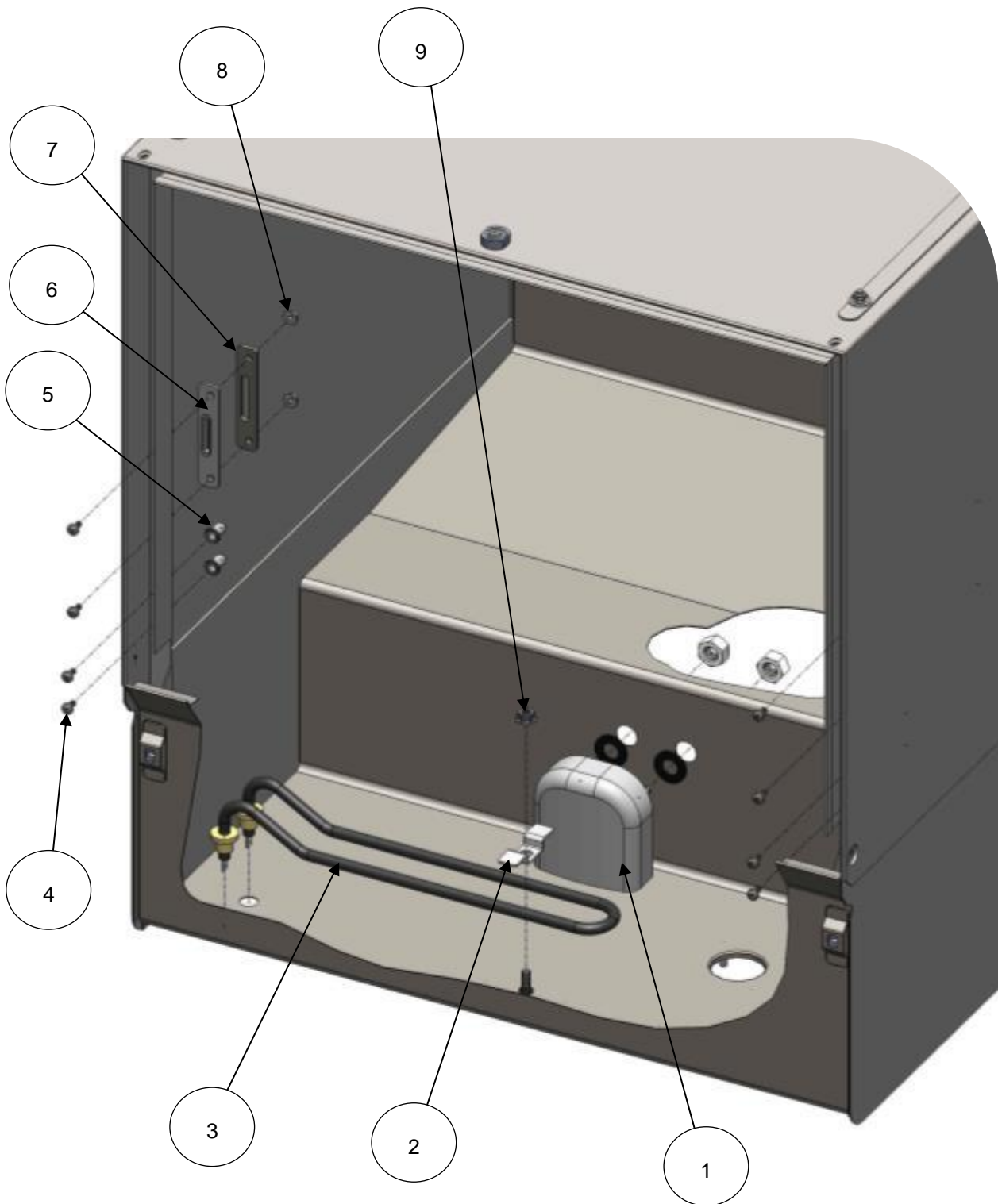
Door Assembly



Door Assembly

Item	Description	Part Number	Qty	Note
1	M3 x 8mm Socket button screw	SC101	2	
2	Magnet door switch	571.0001	1	
3	Nyloc Nut M3 SS	NNUT-03	2	
4	Door pivot pin	100.0002	2	
5	500mm door	111.0002	1	

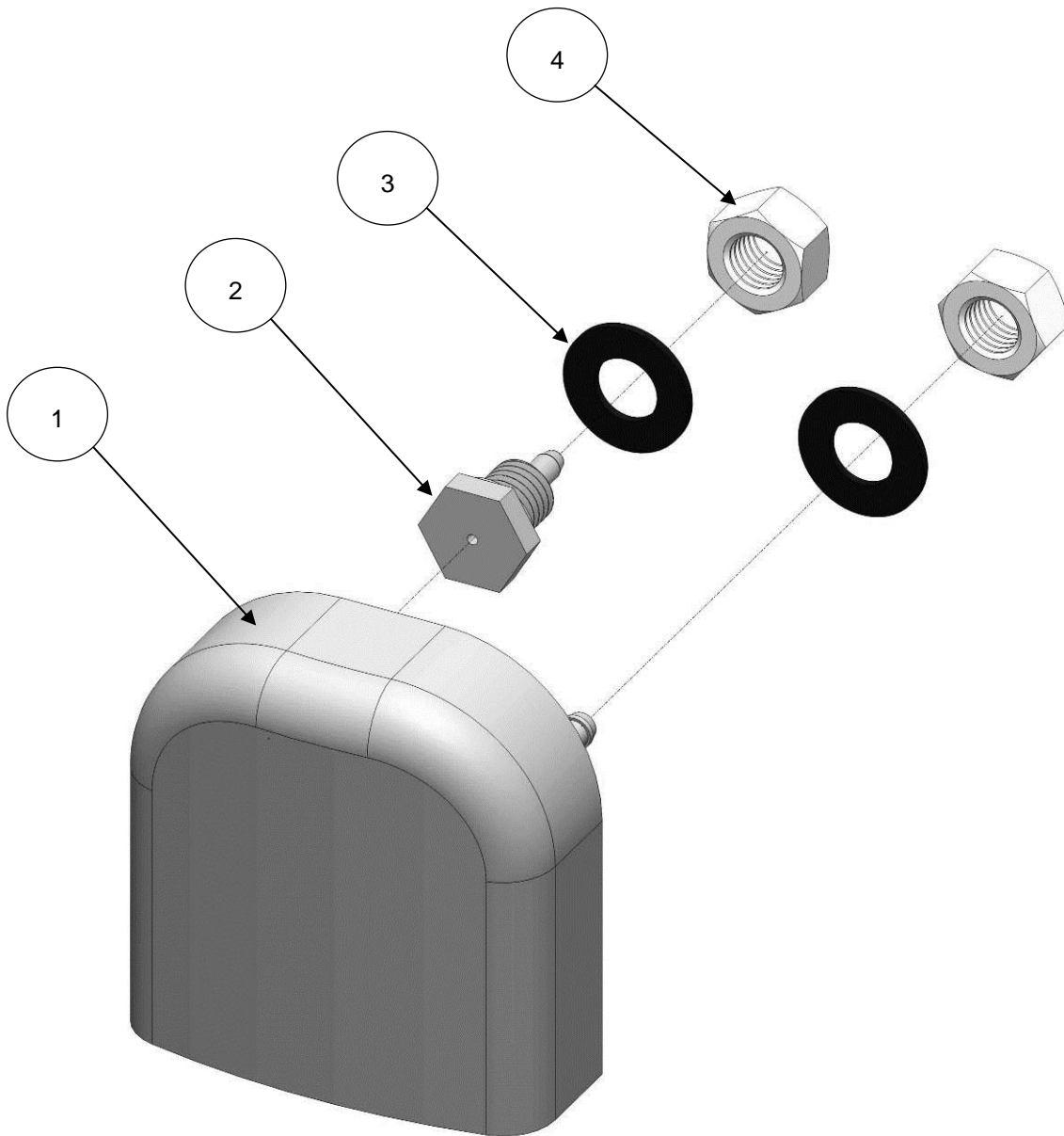
Wash Cabinet - Internal



Wash Cabinet – Internal

Item	Description	Part Number	Qty	Note
1	Air pressure vessel assembly	-	1	See page 16 - 17
2	Element retaining bracket	7.6.6/22	1	
3	Wash element ; 2kW	555.0001	1	Includes 2 x Washers and 2 x M12 fine thread thin nut
4	Screw pan head pozi M4 x 10 SS	SC111	8	
5	Basket ramp support nutsert M4	100.0009	4	
6	Door Inlay	256.0001	2	
7	Plate – Door stop	102.0002	2	
8	Nylock nut M4 SS	NNUT-04	4	
9	Flange nut M6 SS	FNUT-06	1	

Air Pressure Vessel

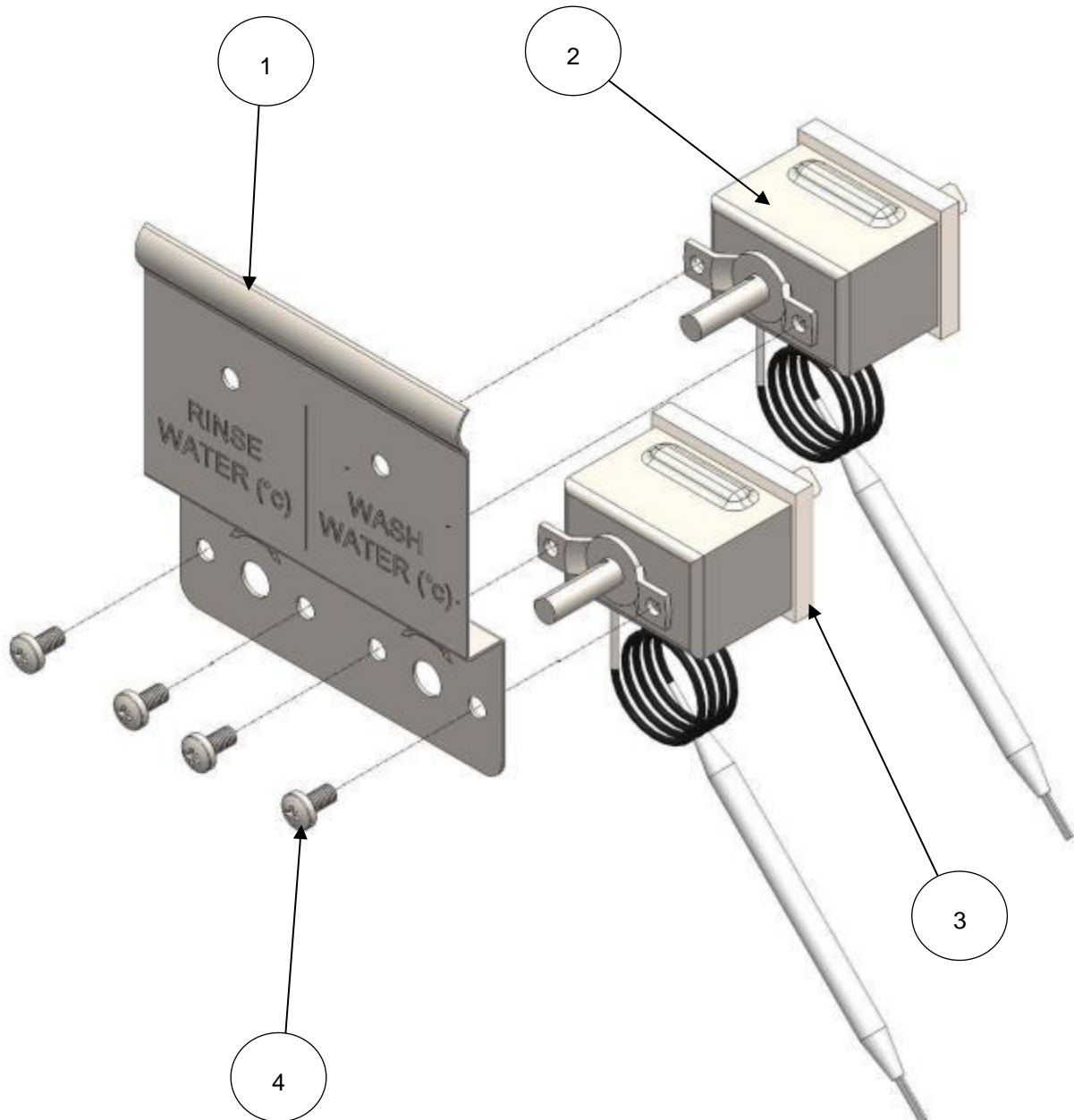


Air Pressure Vessel

Item	Description	Part Number	Qty	Note
1	Air pressure vessel	260.0001	1	
2	Detergent inlet fitting	100.0018	1	
3	EPDM rubber seal	300.1224	2	
4	Plastic Nut M12	PNUT-12	2	

Description	Part Number	Note
Air Pressure Vessel Kit	260.0001-SK	

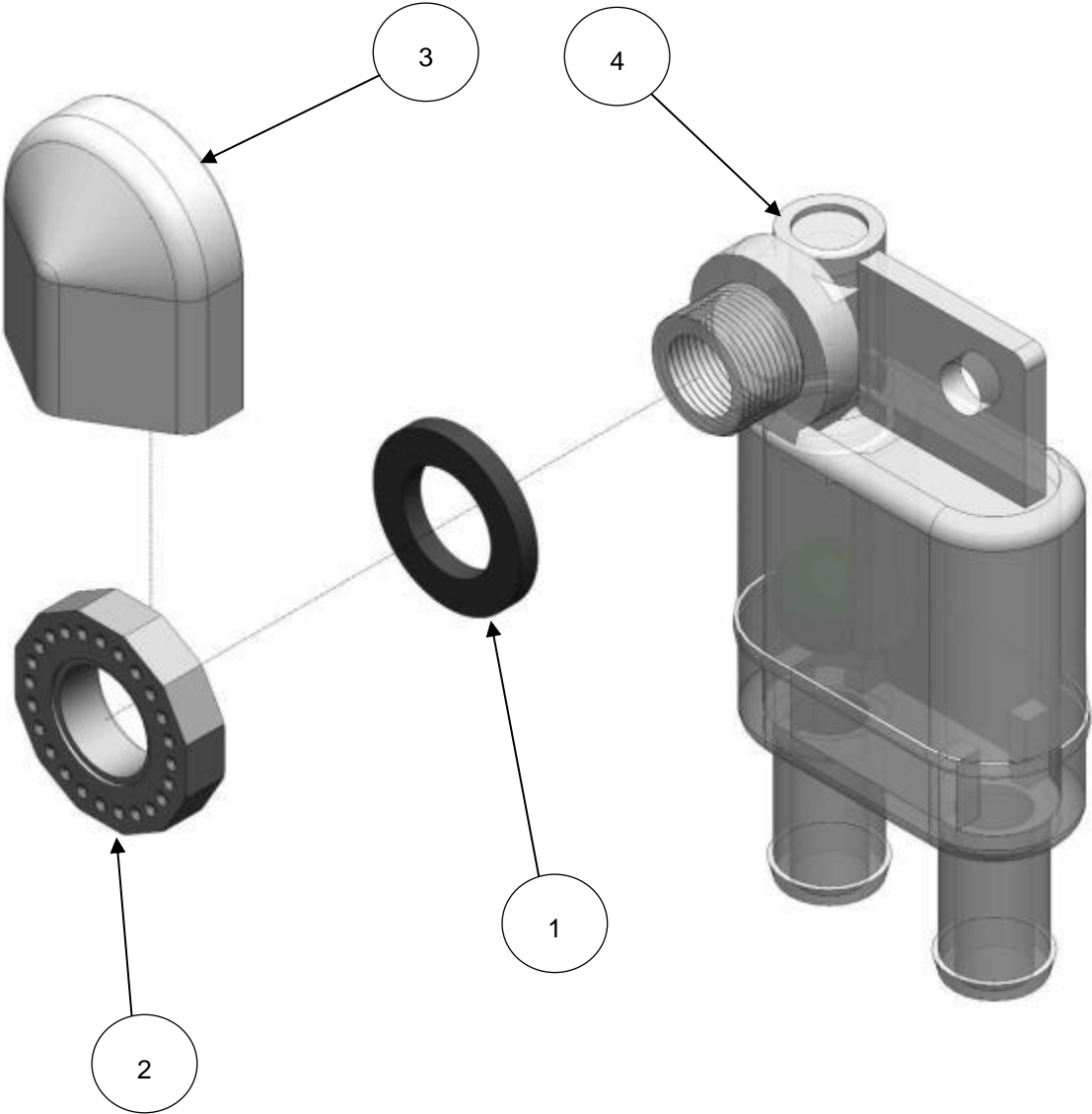
Adjustable Thermostats



Adjustable Thermostats

Item	Description	Part Number	Qty	Note
1	Thermostat Bracket	164.0009	1	
2	Adjustable Thermostat	542.0002	1	For Rinse
3	Adjustable Thermostat	542.0002	1	For Wash
4	M4 x 6 Pozi screws	SC040	4	

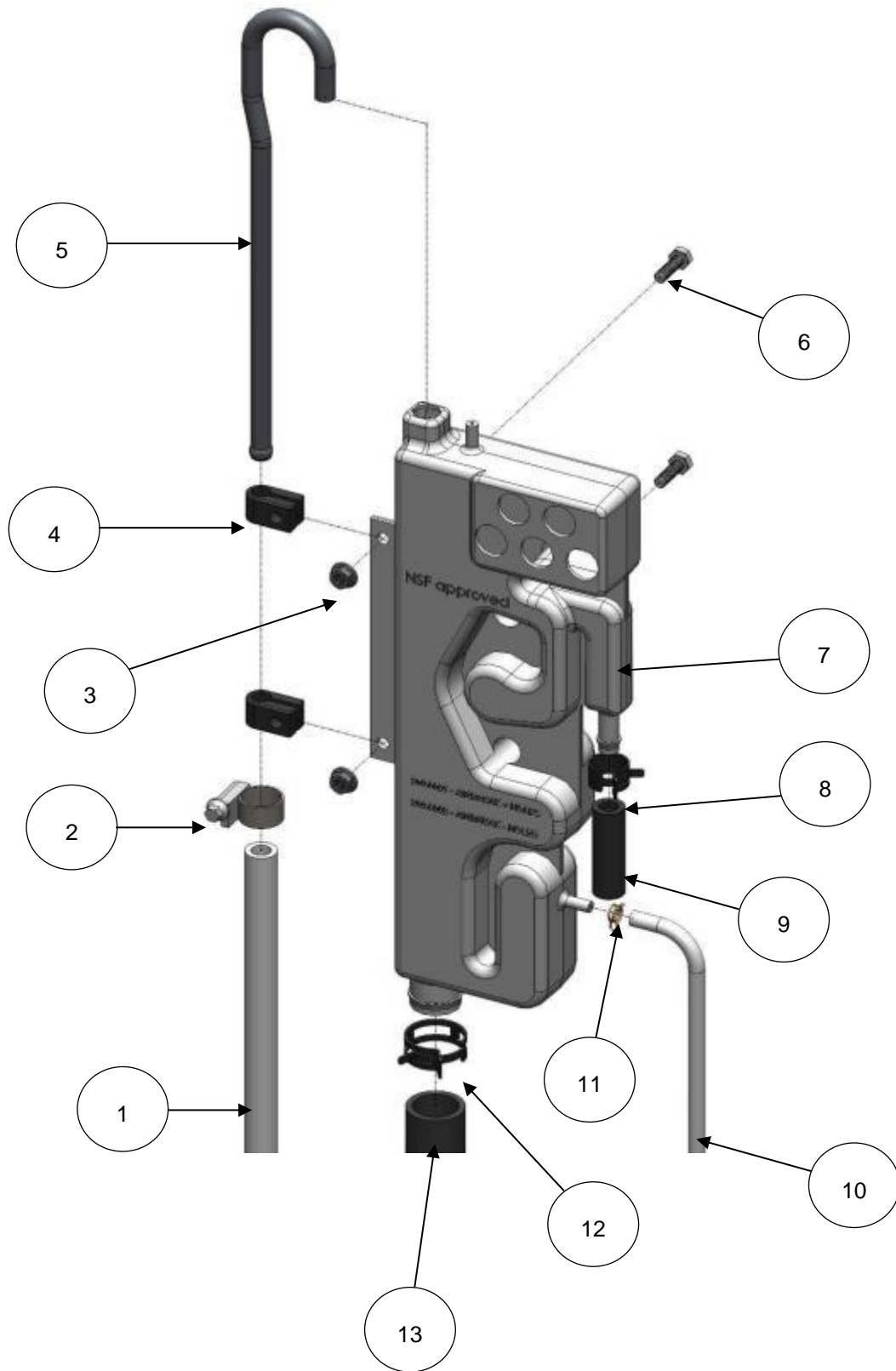
Air Break – Type B



Air Break - Type B

Item	Description	Part Number	Qty	Note
1	Type B air break seal	7.11.3	1	
2	Type B air break nut	61004451	1	
3	Type B air break cover	61004430	1	
4	Type B air break	3501193	1	

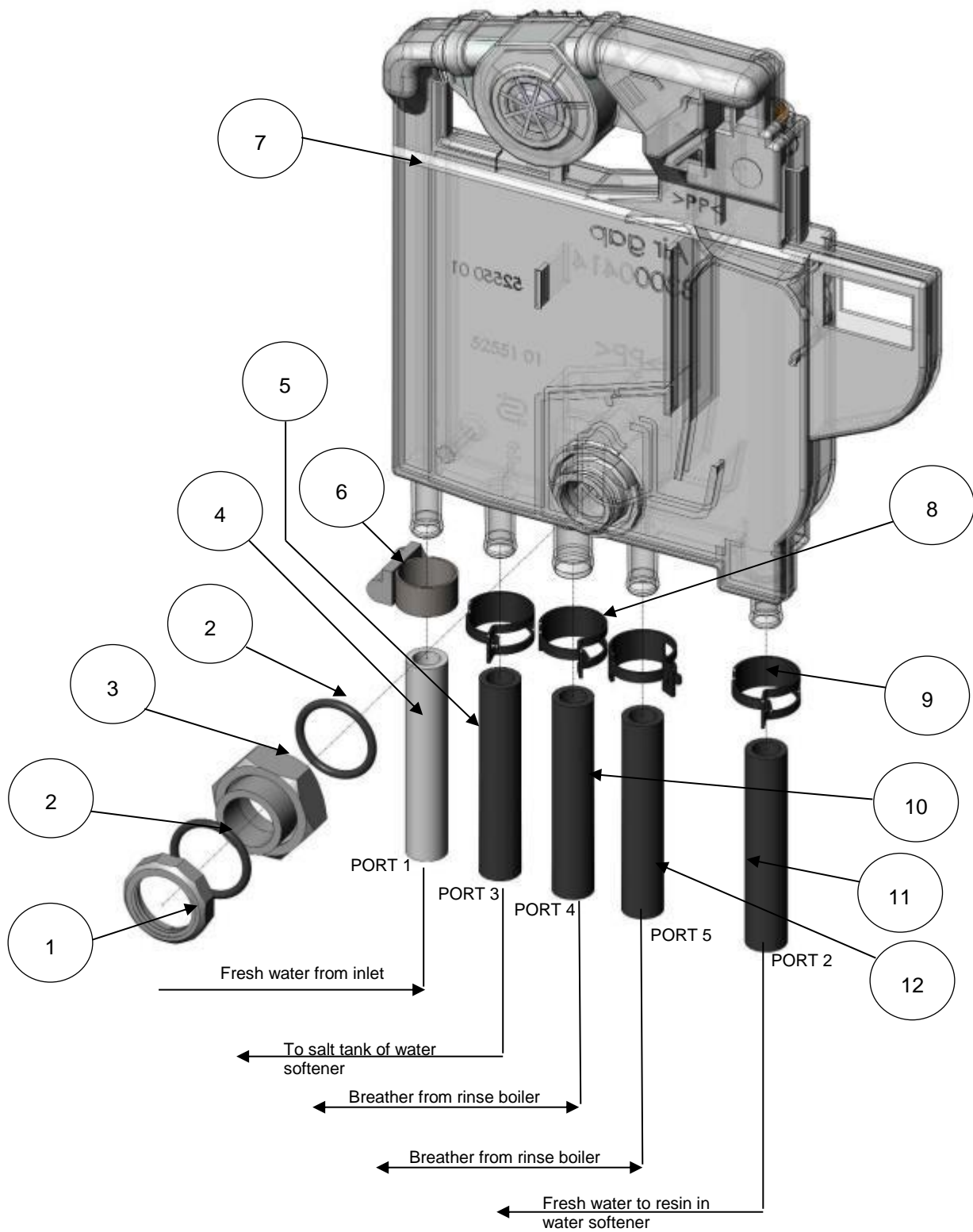
Air Break – WRAS Approved



Air Break - WRAS Approved

Item	Description	Part Number	Qty	Note
1	Inlet solenoid to air break hose	H-09/2	1	(Length – 0.6 M)
2	Jubilee clip - Ø12mm to Ø22mm	JCLIP-012-022	1	
3	M6 flange nut	FNUT-06	2	
4	Cable cleat #4	331.0002	2	
5	Air break feeder tube	190.0001	1	
6	M6 x 20mm long Hex head screw	SC029	2	
7	Air break (WRAS approved)	200.0001	1	
8	Hose clip Ø18mm	350.0001	1	
9	Air break to rinse boiler fill hose 500mm	402.0005	1	
10	Air break to air pressure switch tube	RT3/1	1	(Length – 0.88 M)
11	Spring clip	7.4.12/7	1	
12	Hose clip Ø26mm	350.0002	1	
13	Air break to rinse boiler breather hose 500mm	402.0013	1	

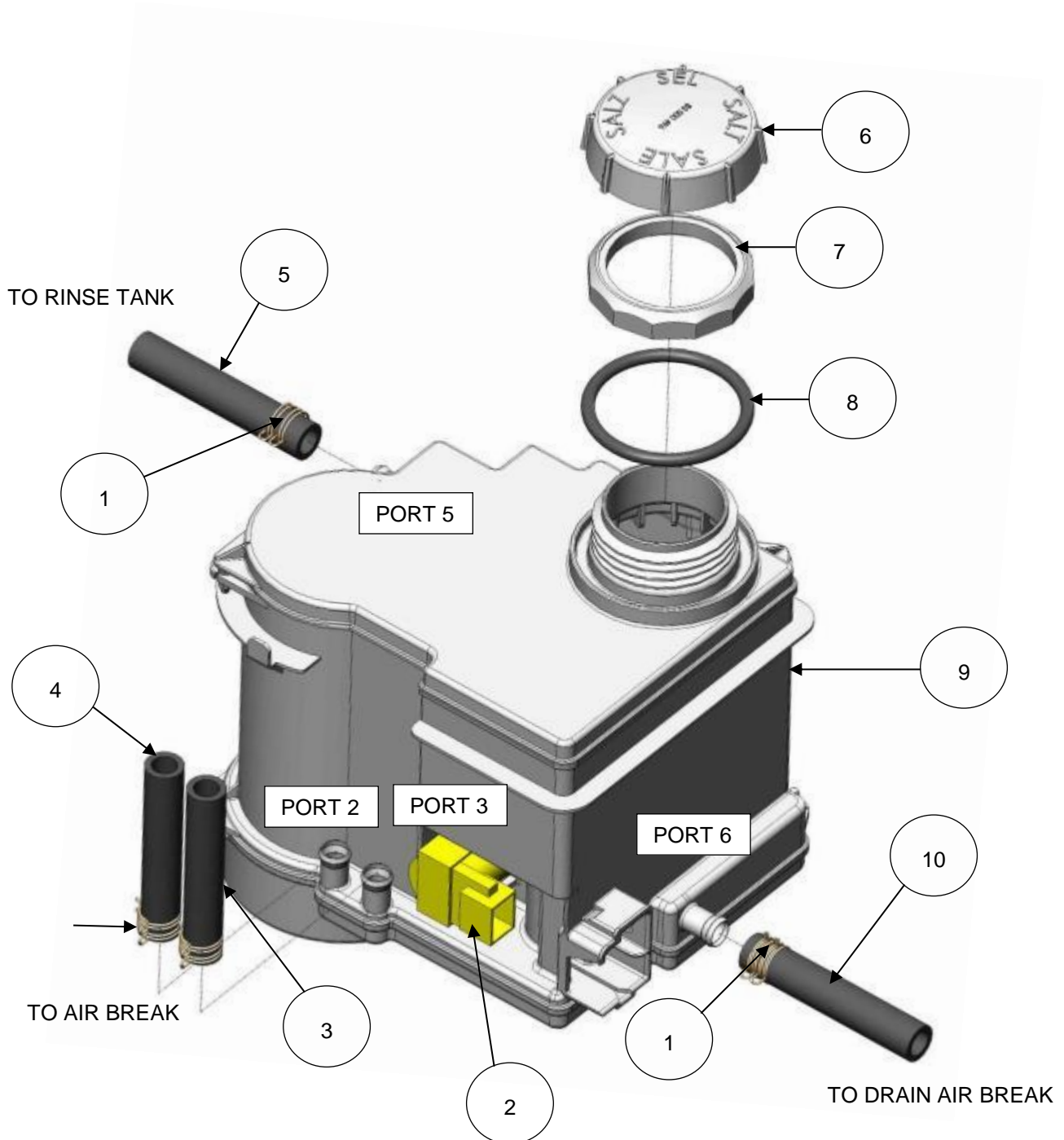
Air Break Tank Assembly



Air Break Tank Assembly

Item	Description	Part no.	Qty	Note
1	Nut - Air break	60004612	1	
2	O-Ring	2707097	2	
3	Spacer Nut - Air break	61006675	1	
4	Hose - Inlet solenoid to Air break (Port 1)	H-09/7	1	(Length 0.67 M)
5	Hose - Air break (Port 3) to Water softener (Port 3)	401.0014	1	
6	Jubilee clip - Ø12mm to Ø22mm	JCLIP-012-022	1	Machines before date code 1046
7	Air break (Water Board approved)	83000414	1	
8	Hose clip Ø19mm	350.0003	1	Machines after date code 1046
9	Hose clip Ø18mm	350.0001	3	
10	Hose - Air break (Port 4) to Rinse boiler	402.0016	1	Machines after date code 1046
11	Hose - Air break (Port 2) to Water softener (Port 2)	401.0013	1	
12	Hose - Air break (Port 5) to Water softener (Port 5) to Rinse boiler	402.0008	1	
13	Spring clip - 16.2mm	7.4.12/14	6	Not shown
14	End cap (not shown)	410.0002	1	Machines before date code 1046

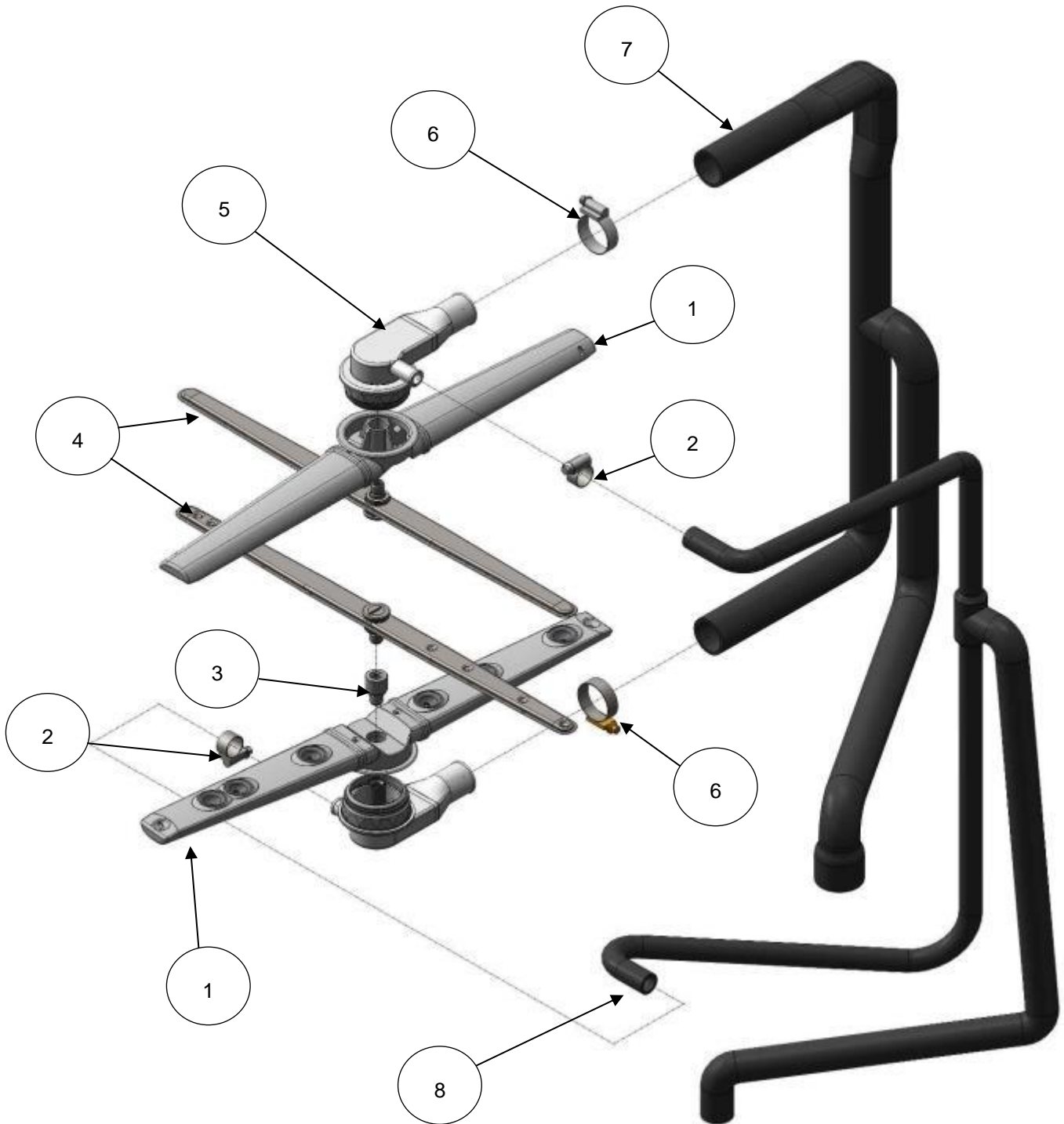
Internal Water Softener Assembly



Internal Water Softener Assembly

Item	Description	Part no.	Qty	Note
1	Spring clip	7.4.12/14	8	12.8-15mm
2	Replacement Solenoid valve kit for Water Softener	83000460	2	
3	Reinforced hose	401.0014	1	
4	Reinforced hose	401.0013	1	
5	Softener - Rinse boiler hose	402.0008	1	
6	Cap	60004894	1	
7	Locking nut	60003001	1	
8	O-Ring 54mm ID X 5mm	2707065	1	
9	Water softener body	83000400	1	
10	Reinforced hose	408.0009	1	
11	Cable ties – Stud mounted	CT-11	1	Not shown

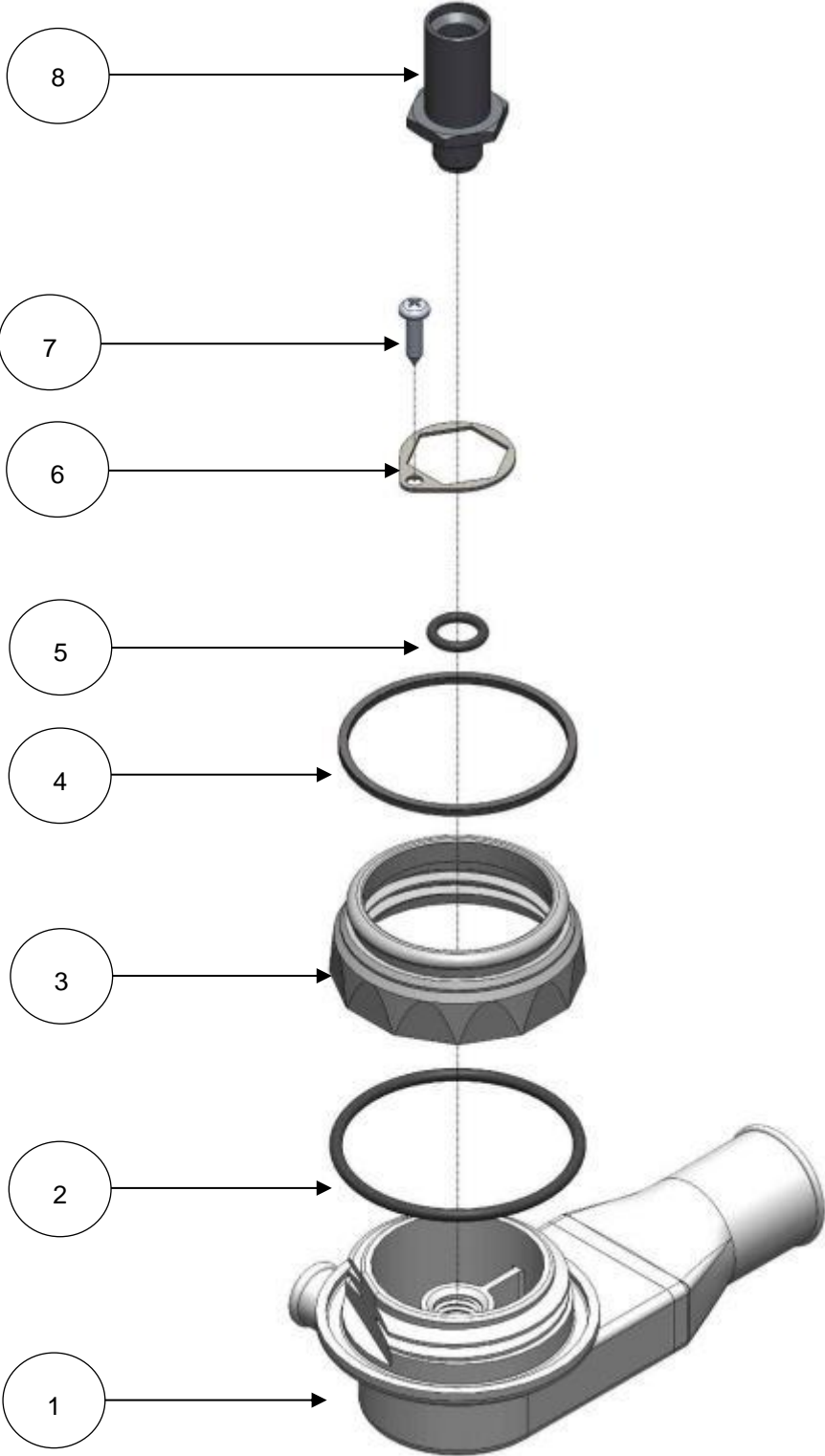
Wash & Rinse System



Wash & Rinse System

Item	Description	Part Number	Qty	Note
1	Wash arm - 500mm	60003520 KIT	2	
2	Jubilee clip - Ø12mm to Ø22mm	JCLIP-012-022	3	
3	Rinse extension screw	100.0005	1	
4	Rinse arm assembly - 500mm	022.0002	2	See page 32-33
5	Centre boss assembly	021.0005	2	See page 30-31
6	Jubilee clip - Ø25mm to Ø40mm	JCLIP-025-040	3	
7	Hose - Wash pump outlet - 500mm	406.0003	1	
8	Hose - Rinse system - 500mm	404.0002	1	
9	Jubilee clip – Ø30mm to Ø45mm	JCLIP-030-045	1	Not shown (On Wash Pump)
10	Jubilee clip – Ø20mm to Ø32mm	JCLIP-020-032	1	Not shown (On Rinse pump)

Centre Boss

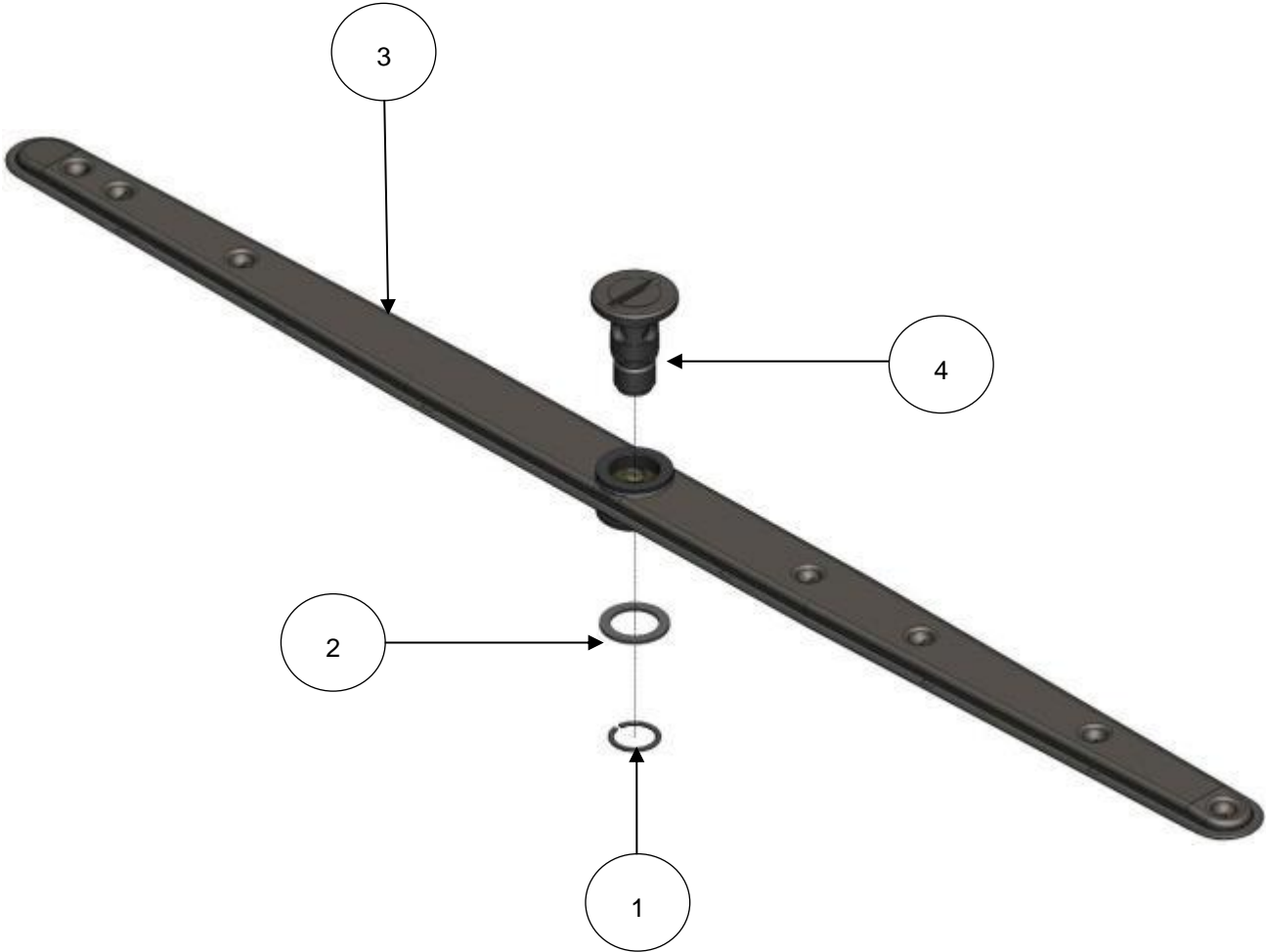


Centre Boss

Item	Description	Part Number	Qty	Note
1	Centre boss (bottom)	60004157	1	
2	O ring - Ø3mm x Ø47mm	300.3047	1	
3	Lock nut	60003005	1	
4	Seal	60003021	1	
5	O ring - Ø2.5mm x Ø10mm	300.2510	1	
6	Fixing plate	61006076	1	
7	M3 x 16mm Long - Self tapping screw	2020305	1	
8	Rinse arm spindle	60002987	1	

Description	Part Number	Note
Centre Boss Assembly	021.0005	Top & bottom

Rinse Arm

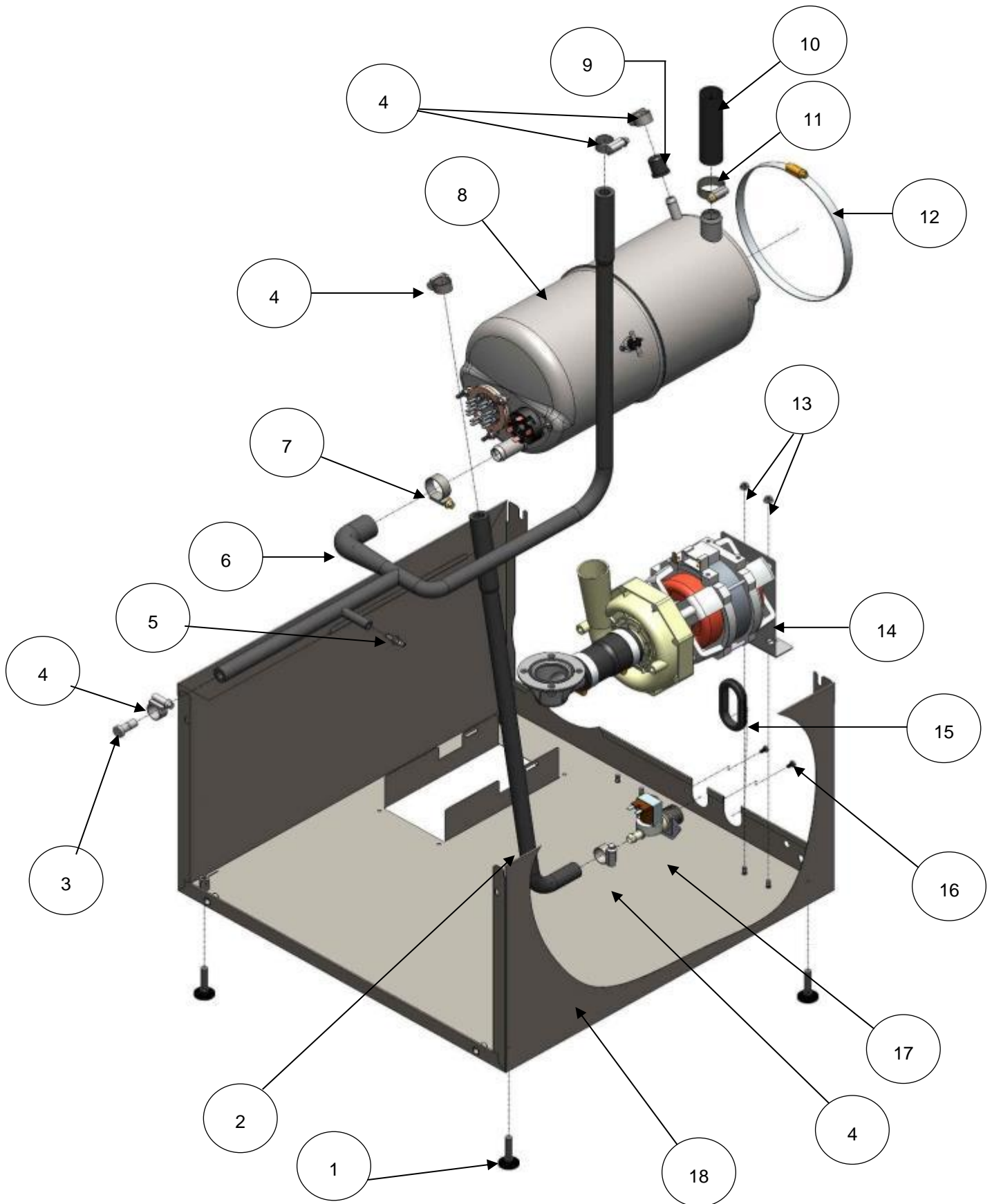


Rinse Arm

Item	Description	Part Number	Qty	Note
1	Locking ring	60003023	1	
2	Washer	60003487	1	
3	Rinse arm - 500mm	60003948	1	
4	Rinse arm screw	100.0019	1	

Description	Part Number	Note
500mm Rinse Arm – Complete Assembly	022.0002	As picture

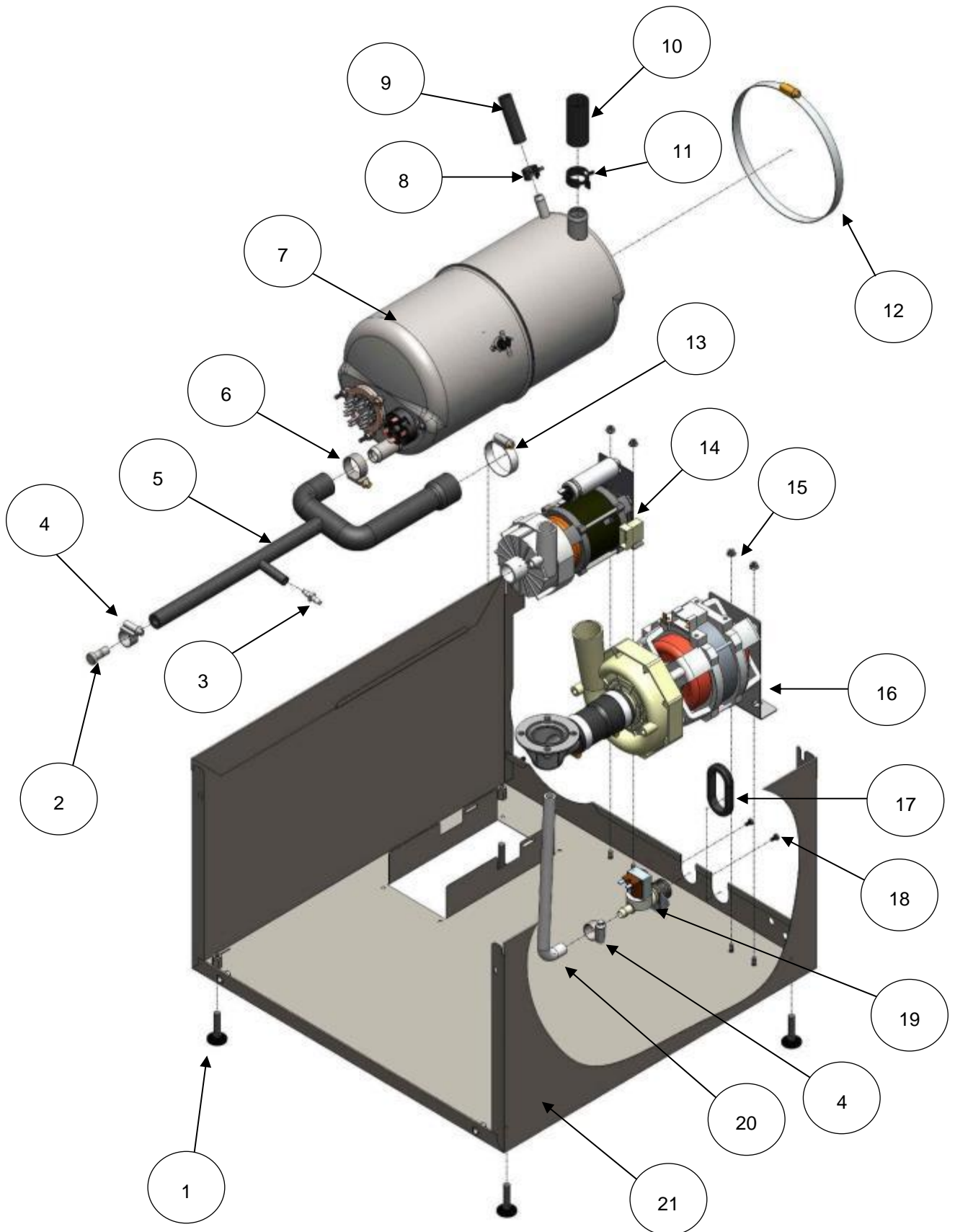
Base – Non Air Break Machines



Base – Non Air Break Machines

Item	Description	Part Number	Qty	Note
1	M8 x 40 Adjuster foot	310.0001	4	
2	Hose—Inlet solenoid to type B air break	401.0004	1	
3	Drain plug - Rinse tank	100.0003	1	
4	Jubilee clip - Ø12mm to Ø22mm	JCLIP-012-022	5	
5	6-4mm Inline reducing hose connector	7.7.21/11	1	
6	Hose – Type B Air Break - Rinse boiler	401.0001	1	
7	Jubilee clip – Ø16mm to Ø27mm	JCLIP-016-027	1	
8	Rinse boiler - 7.5 litre x 6 kW	-	1	Only for ECO 3 & HYDRO 750
	Rinse boiler - 7.5 litre x 2.6 kW	-		Only for HYDRO 700
9	End cap	410.0002	1	
10	Hose – Rinse system – 500mm	404.0002	1	
11	Jubilee clip – Ø20mm to Ø32mm	JCLIP-020-032	1	
12	Jubilee clip - Ø160mm to Ø180mm	JCLIP-160-180	1	
13	M5 nut - Flange	FNUT-05	2	
14	Wash pump assembly - 0.74 kW	-	1	See page 44 - 45
15	Grommet 50mm	GROM-01	1	
16	M4 x 10mm long - Pan head screw	SC111	2	
17	Inlet solenoid valve	7.12.12/1	1	
18	Machine base - 500mm	-	1	Not available as a spare
19	M6 nut - Flange	FNUT-06	1	Not shown (For Equi-Potential bonding stud)

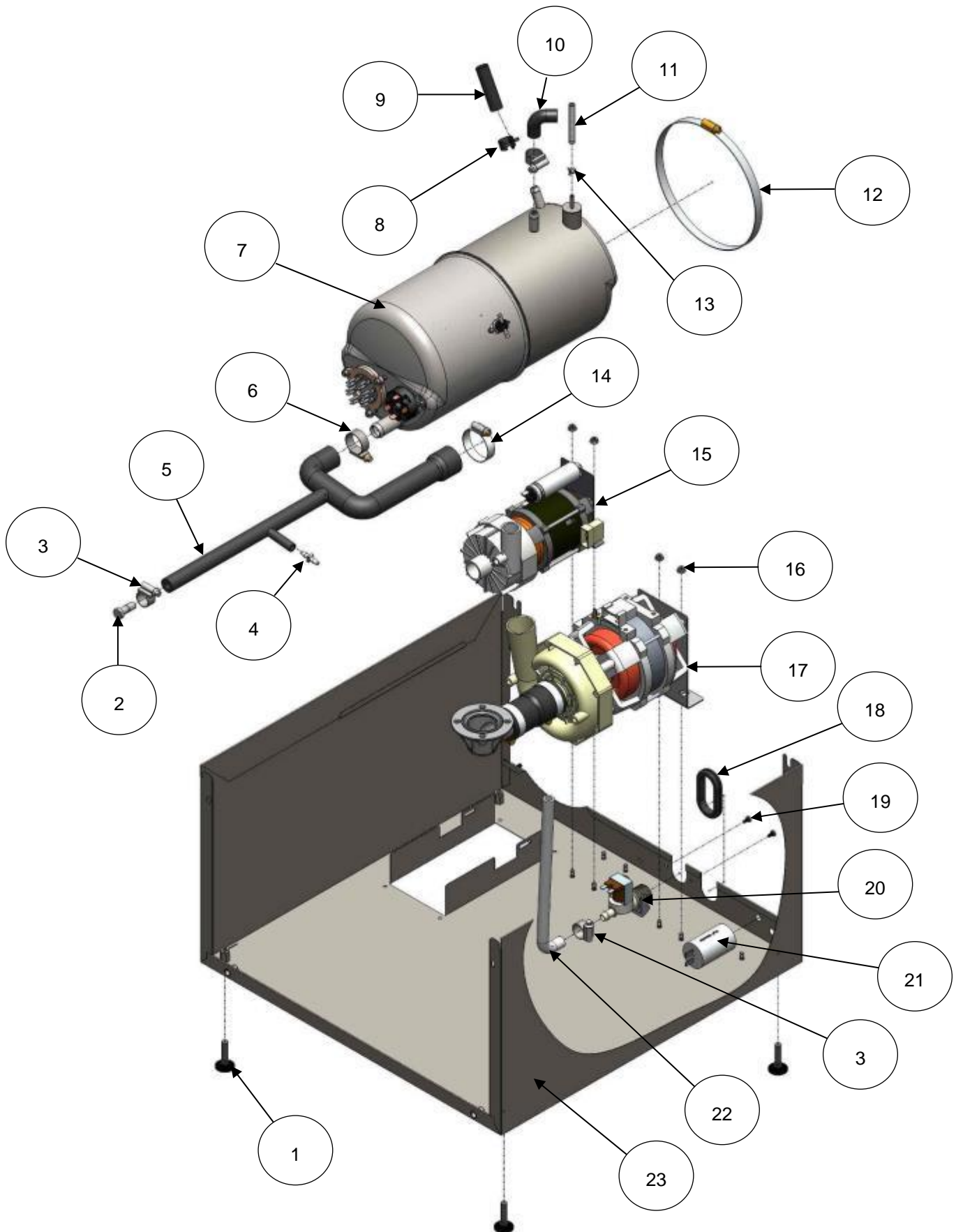
Base – Air Break Machines



Base – Air Break Machines

Item	Description	Part Number	Qty	Note
1	M8 x 40 Adjuster foot	310.0001	4	
2	Drain plug - Rinse tank	100.0003	1	
3	6-4mm Inline reducing hose connector	7.7.21/11	1	
4	Jubilee clip - Ø12mm to Ø22mm	JCLIP-012-022	2	
5	Hose - Rinse boiler – Rinse pump	403.0002	1	
6	Jubilee clip – Ø16mm to Ø27mm	JCLIP-016-027	1	
7	Rinse boiler - 7.5 litre x 6 kW	-	1	See page 40 - 41
8	Hose clip - Ø18mm	350.0001	1	
9	Air break to rinse boiler breather hose 500mm	-	1	See page 22 – 23
10	Air break to rinse boiler fill hose 500mm	-	1	See page 22 – 23
11	Hose clip - Ø26mm	350.0002	1	
12	Jubilee clip - Ø160mm to Ø180mm	JCLIP-160-180	1	
13	Jubilee clip – Ø30mm to Ø45mm	JCLIP-030-045	1	
14	Rinse pump	-	1	See page 46 - 47
15	M5 nut - Flange	FNUT-05	4	
16	Wash pump assembly - 0.74 kW	-	1	See page 44 - 45
17	Grommet 50mm	GROM-01		
18	M4 x 10mm long - Pan head screw	SC111	2	
19	Inlet solenoid valve	7.12.12/1	1	
20	Inlet solenoid to air break hose	-	1	See page 22 – 23
21	Machine base - 500mm	-	1	Not available as a spare
22	M6 nut - Flange	FNUT-06	1	Not shown (For Equi-Potential bonding stud)

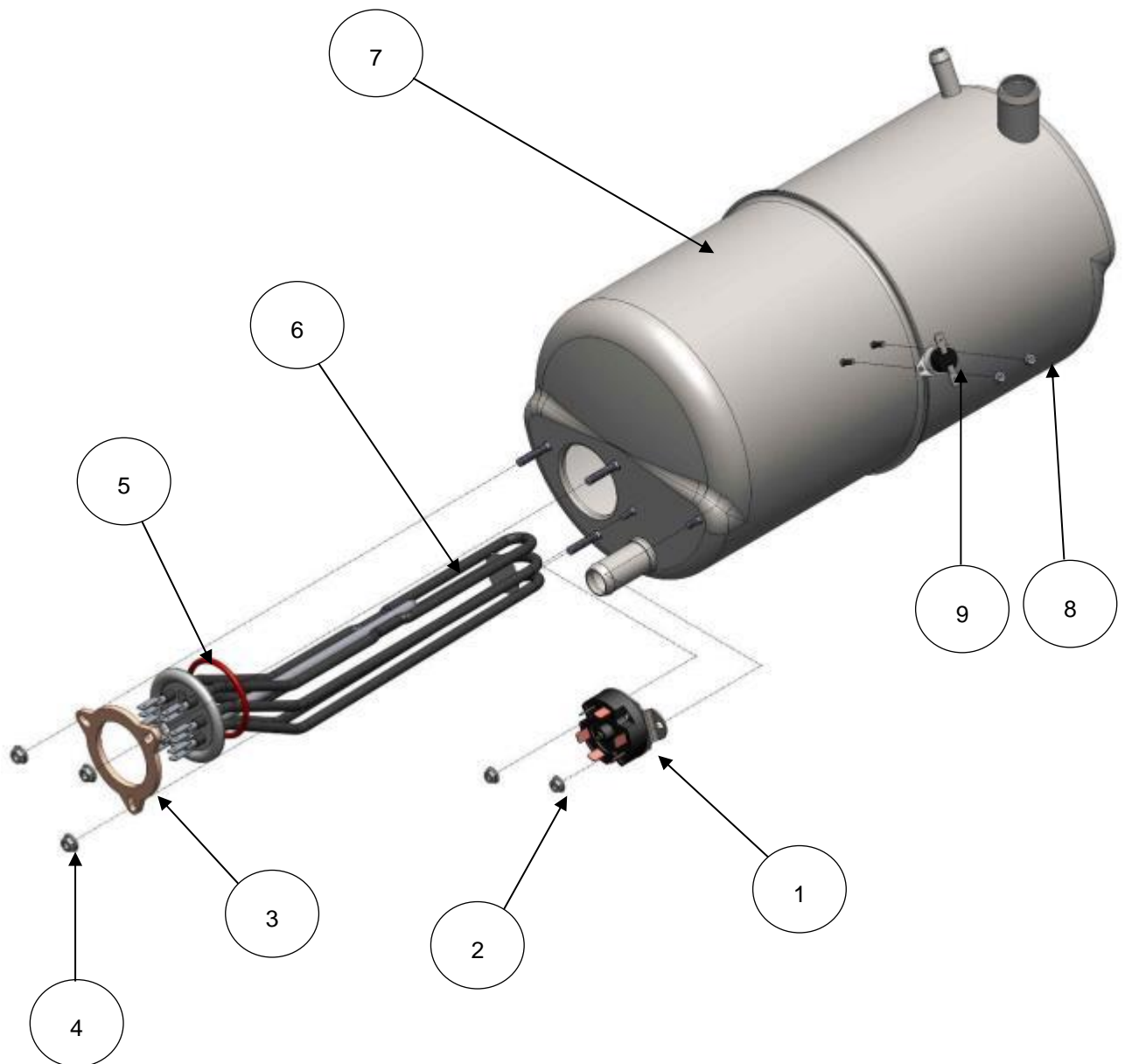
Base – Water Softener Machines



Base – Water Softener Machines

Item	Description	Part Number	Qty	Note
1	M8 x 40 Adjuster foot	310.0001	4	
2	Drain plug - Rinse tank	100.0003	1	
3	Jubilee clip - Ø12mm to Ø22mm	JCLIP-012-022	2	
4	6-4mm Inline reducing hose connector	7.7.21/11	1	
5	Hose - Rinse boiler – Rinse pump	403.0001	1	
6	Jubilee clip – Ø16mm to Ø27mm	JCLIP-016-027	1	
7	Rinse boiler - 7.5 litre x 6 kW	-	1	See page 42 - 43
8	Hose clip - Ø18mm	350.0001	1	
9	Hose – Air break (Port 4) to Rinse boiler	-	1	See page 24 - 25
10	Hose – Air break (Port 5) to Water softener (Port 5) to Rinse Boiler	-	1	See page 24 - 25 & 26 - 27
11	Silicon hose	RT3/1	1	
12	Jubilee clip - Ø160mm to Ø180mm	JCLIP-160-180	1	
13	Spring clip	7.4.12/7	1	
14	Jubilee clip – Ø30mm to Ø45mm	JCLIP-030-045	1	
15	Rinse pump	-	1	See page 46 - 47
16	M5 nut - Flange	FNUT-05	4	
17	Wash pump assembly - 0.74 kW	-	1	See page 44 - 45
18	Grommet 50mm	GROM-01		
19	M4 x 10mm long - Pan head screw	SC111	2	
20	Inlet solenoid valve	7.12.12/1	1	
21	Capacitor - 8µF	-	1	See page 44 - 45
22	Inlet solenoid to air break hose	-	1	See page 24-25
23	Machine base - 500mm	-	1	Not available as a spare
24	M6 nut - Flange	FNUT-06	1	Not shown (For Equi-Potential bonding stud)
25	Flow restrictor – 4 Litres / min	8.6.1/13	1	Purple colour – Fitted into Inlet Solenoid valve (5) (Not shown)

Rinse Tank



Rinse Tank

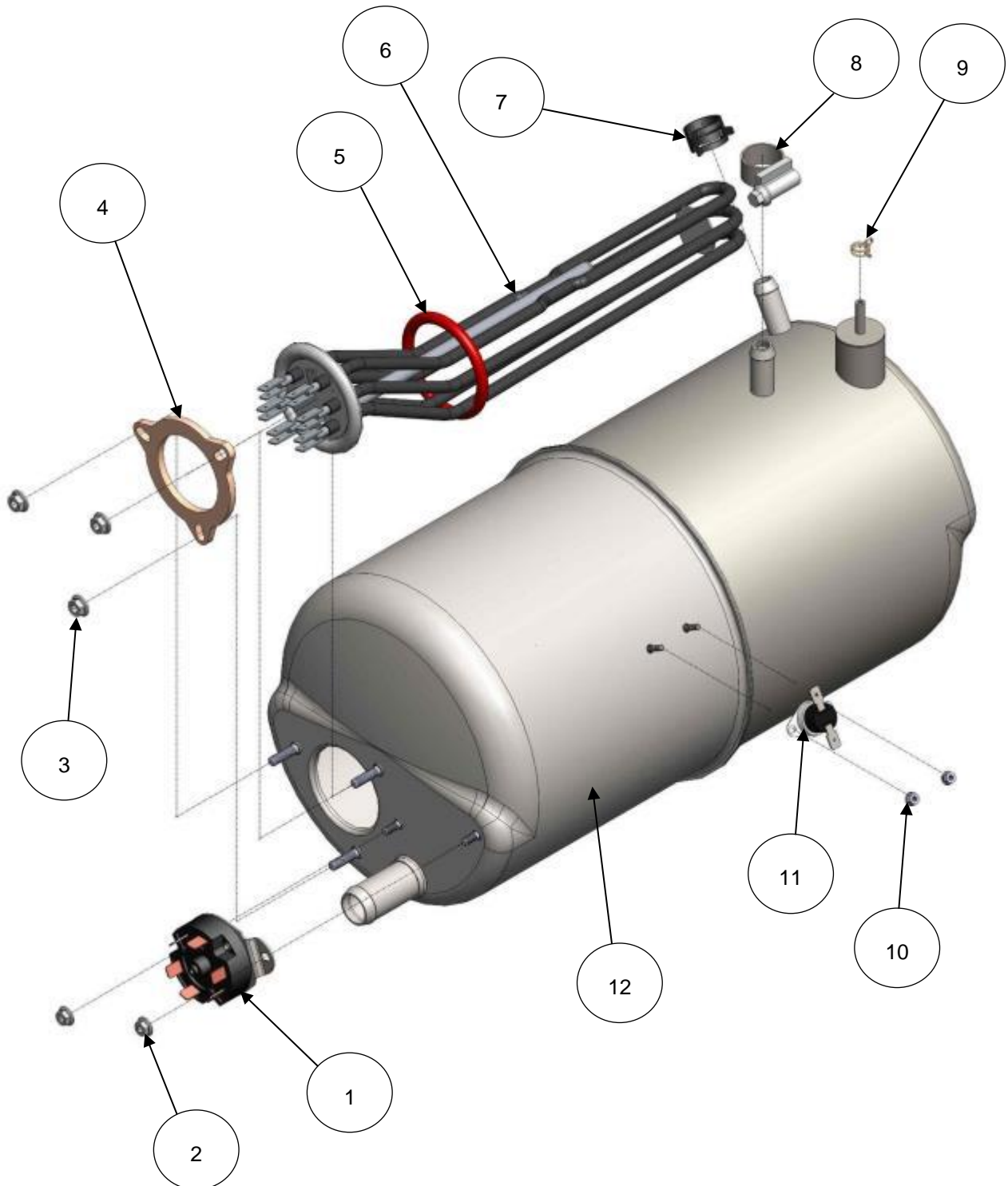
Item	Description	Part Number	Qty	Note
1	Manual reset thermal trip switch - 3 pole - 95°C (normally closed)	540.0007	1	
2	M4 nut - Flange	FNUT-04	2	
3	Element bracket clamping ring	0117003	1	
4	M5 nut - Flange	FNUT-05	3	
5	O-ring seal - 6mm x 45mm	300.6045	1	
6	Rinse element - 3 x 2,000 watt	550.0001	1	Only to be fitted on 30 amp units
	Rinse element - 2 x 1,300 watt	550.0003		Only to be fitted on 13 amp units
7	Rinse boiler - 7.5 litres	130.0003	1	
8	M3 nut - Flange	FNUT-03	2	
9	Auto reset thermal trip switch - 1 pole - 55°C (normally open)	541.0002	1	

Description	Part Number	Note
Rinse boiler assembly - 7.5litres x 6,000 watts	013.0003-SK	ECO3, DUO3, HYDRO750, DUO750
Rinse boiler assembly - 7.5litres x 2,600 watts	013.0004-SK	HYDRO700

Rinse Tank – Water Softener

DUO 3 WS

DUO 750 WS



Rinse Tank – Water Softener

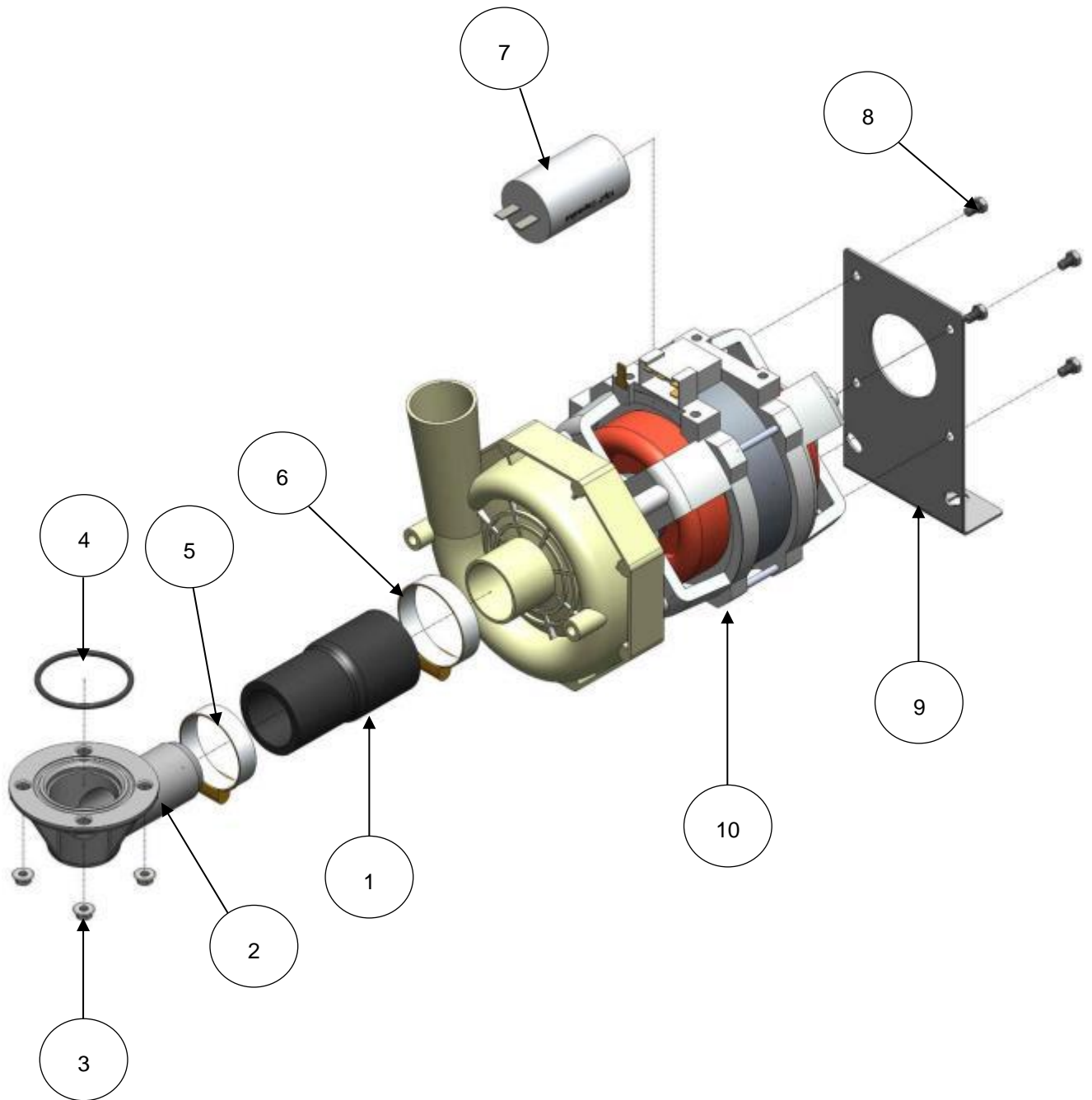
DUO 3 WS

DUO 750 WS

Item	Description	Part Number	Qty	Note
1	Manual reset thermal trip switch - 3 pole - 95°C (normally closed)	540.0007	1	
2	M4 nut - Flange	FNUT-04	2	
3	M5 nut - Flange	FNUT-05	3	
4	Element bracket clamping ring	0117003	1	
5	O-ring seal - 6mm x 45mm	300.6045	1	
6	Rinse element - 3 x 2,000 watt	550.0001	1	
7	Hose clip - Ø18mm	350.0001	1	
8	Jubilee clip - Ø12mm to Ø22mm	JCLIP-012-022	1	
9	Spring clip 4mm	7.4.12/7	1	
10	M3 nut - Flange	FNUT-03	2	
11	Auto reset thermal trip switch - 1 pole - 55°C (normally open)	541.0002	1	
12	Rinse boiler - 7.5 litres	130.0006	1	

Description	Part Number	Note
WS Rinse boiler assembly - 7.5litres x 6,000 watts	013.0015-SK	

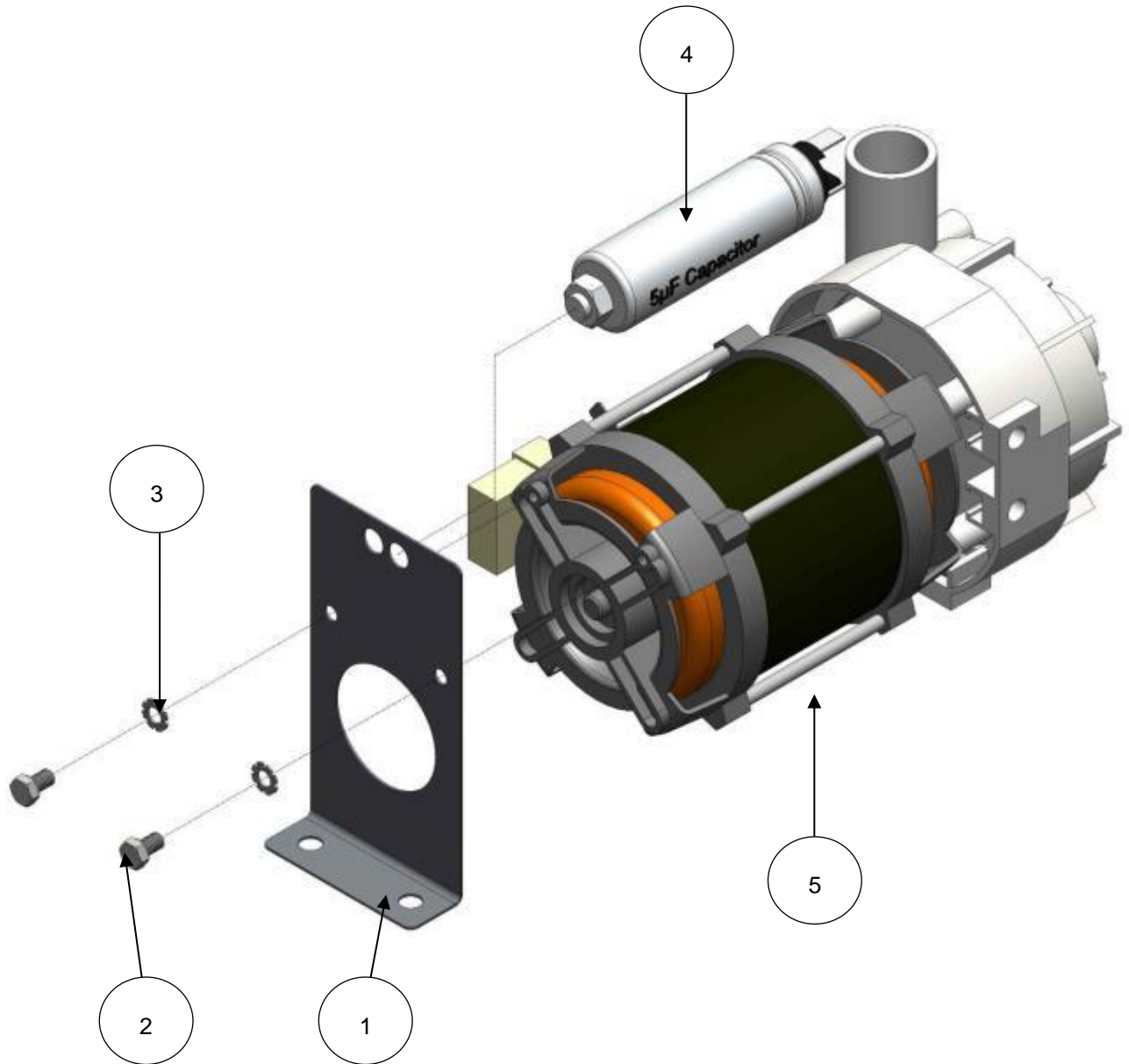
Wash Pump



Wash Pump

Item	Description	Part Number	Qty	Note
1	Hose - Wash pump inlet	405.0001	1	
2	Wash & waste outlet	240.0002	1	
3	M5 nut - Flange	FNUT-05	4	
4	O-ring seal - Ø3mm x Ø47mm	300.3047	1	
5	Jubilee clip - Ø30mm to Ø45mm	JCLIP-030-045	1	
6	Jubilee clip - Ø35mm to Ø50mm	JCLIP-035-050	1	
7	Capacitor - 8µF	529.0008	1	Includes washer & nut Note: Fitted on the base assembly for Water Softener machines
8	M5 x 8mm long - Hex screw	SC011	4	
9	Bracket - Pump 0.74 kW	160.0005	1	
	Bracket – Pump 0.74 kW	160.0019		For Water Softener machines
10	Wash pump - 0.74 kW	522.0002	1	
11	M5 star washer	W014	4	Not shown

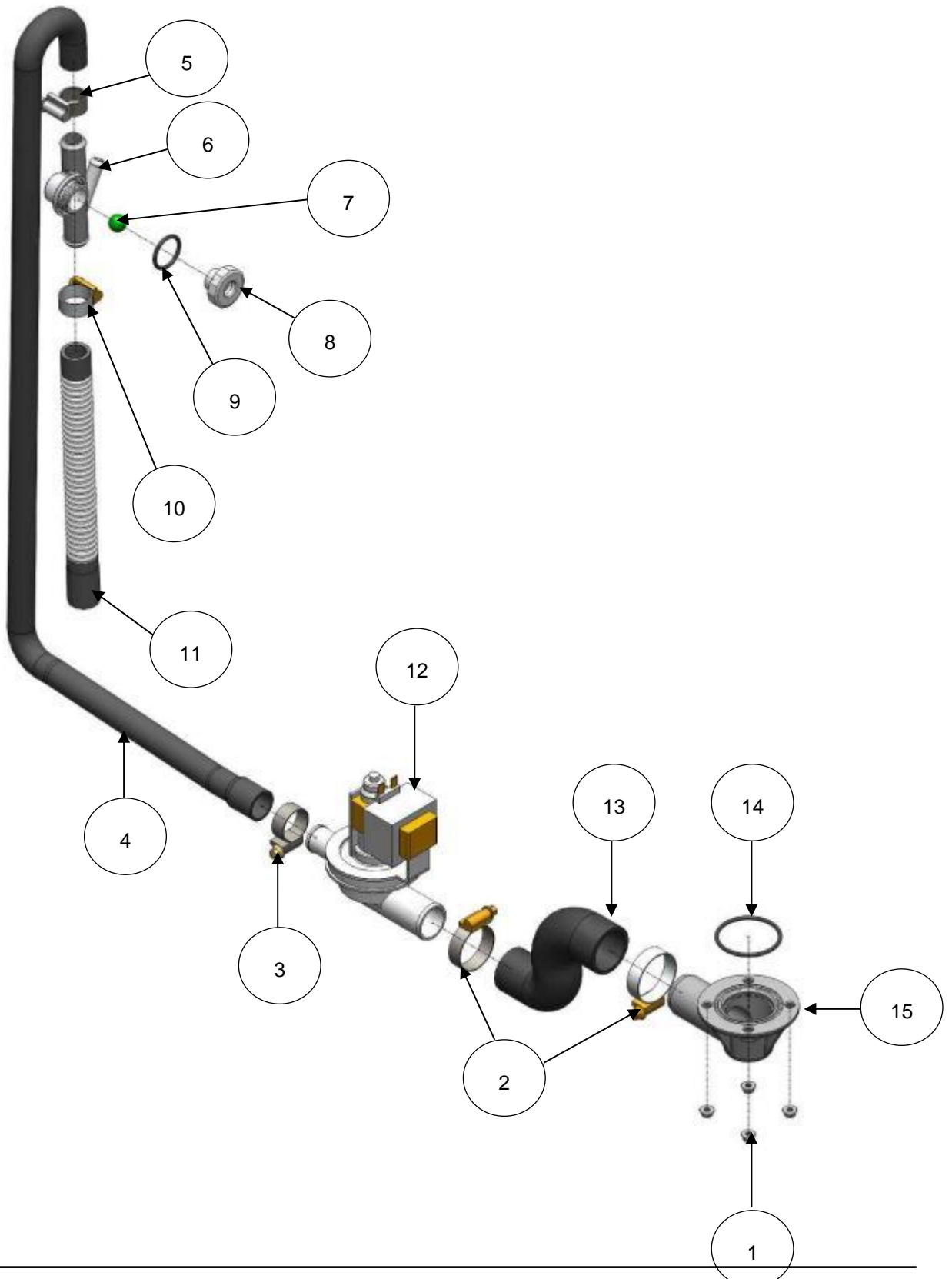
Rinse Pump



Rinse Pump

Item	Description	Part Number	Qty	Note
1	Bracket - Pump	160.0002	1	
2	M4 x 10mm Pozi head screw	SC109	2	
3	M4 Star washer	7.9.13/3	2	
4	Capacitor - 5 μ F	529.0001	1	Includes washer & nut
5	Rinse pump - 0.27 kW	520.0002	1	

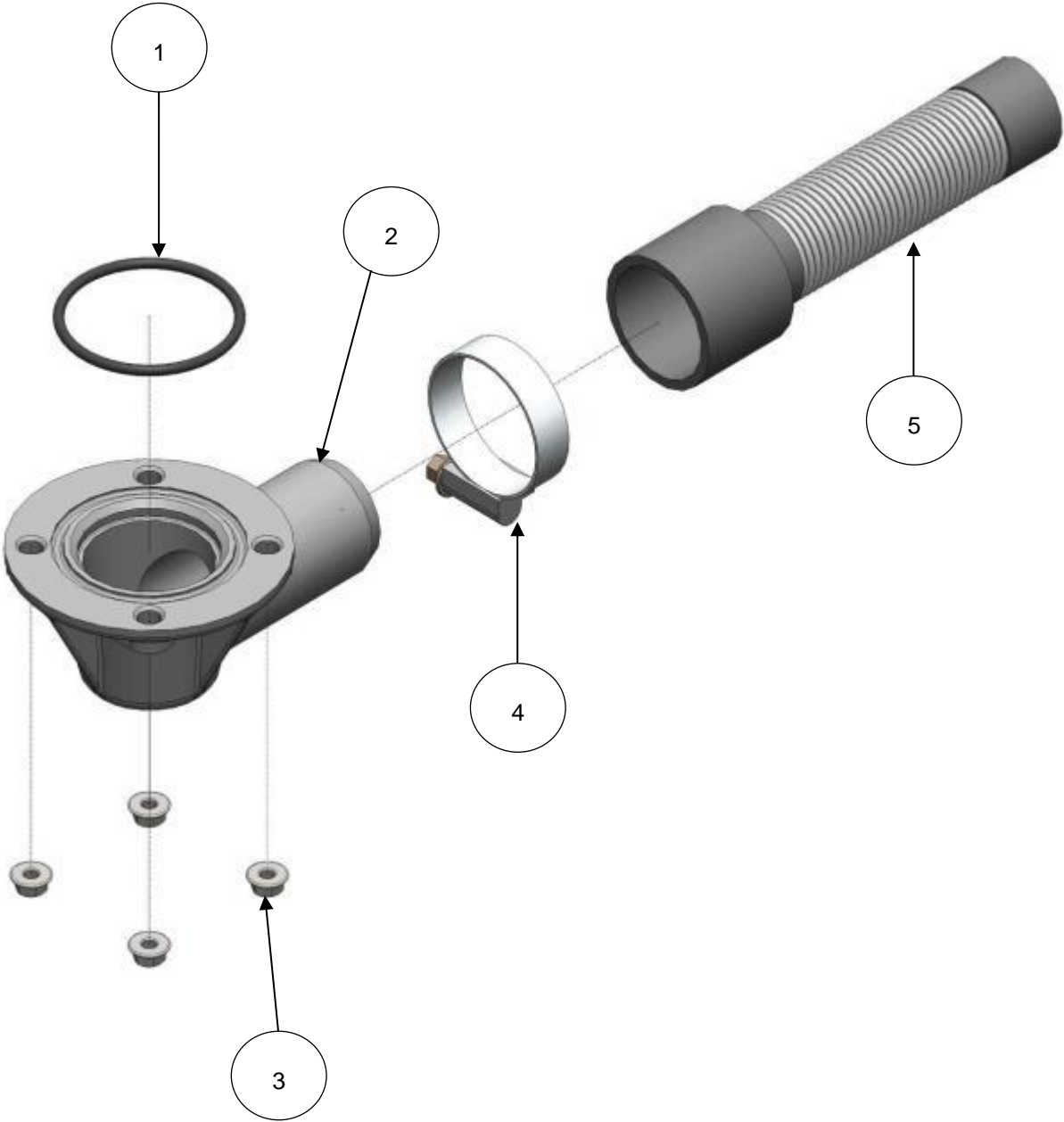
Drain Pump



Drain Pump

Item	Description	Part Number	Qty	Note
1	M5 nut - Flange	FNUT-05	4	
2	Jubilee clip – Ø25mm to Ø40mm	JCLIP-025-040	2	
3	Jubilee clip –Ø16mm to Ø27mm	JCLIP-016-027	1	
4	Hose - Drain pump outlet	60004004	1	
5	Jubilee Clip - Ø12mm to Ø22mm	JCLIP-012-022	2	
6	Drain Air Break	60003586	1	
7	Ball	2801508	1	
8	Drain Air Break Nut	60003587	1	
9	Drain air break O-ring	2707066	1	
10	Jubilee Clip – Ø16mm to Ø27mm	JCLIP-016-027	1	
11	Drain Hose	DP-HOSE	1	
12	Drain pump	DP2	1	
13	Hose - Drain pump inlet	408.0001	1	
14	O-ring seal - Ø3mm x Ø47mm	300.3047	1	
15	Wash & waste outlet	240.0002	1	
16	Waste Hose Hook	DP-HOOK	1	Not shown
17	One way valve	423.0001	1	Not shown, WS machines only

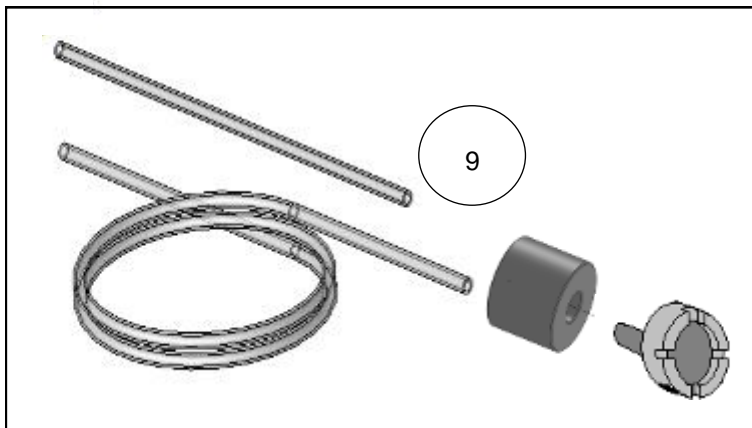
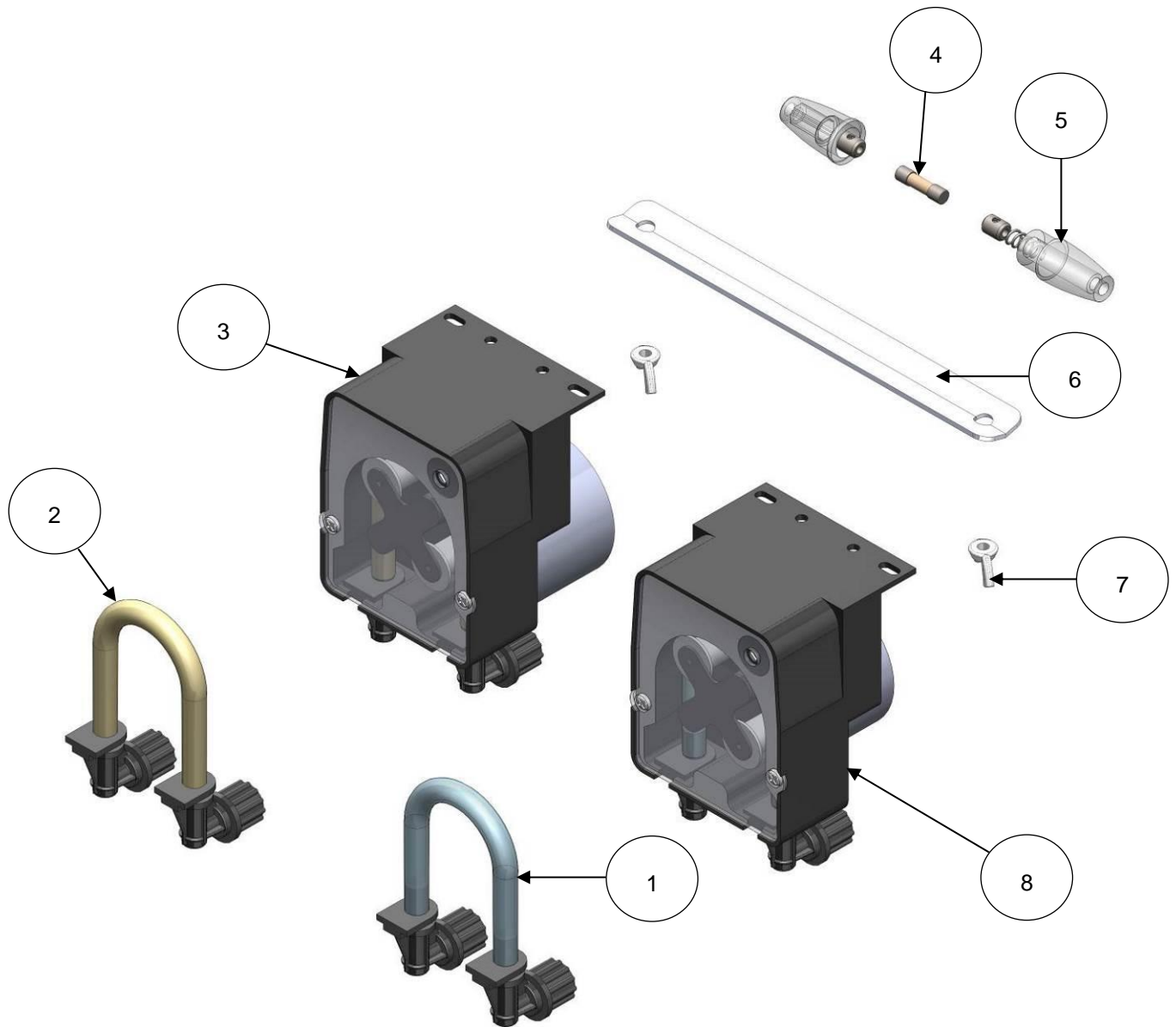
Gravity Drain



Gravity Drain

Item	Description	Part Number	Qty	Note
1	O-ring seal - Ø3mm x Ø47mm	300.3047	1	
2	Wash & waste outlet	240.0002	1	
3	Drain Hose	DP-HOSE	1	
4	Jubilee Clip – Ø30mm to Ø45mm	JCLIP-030-045	1	
5	M5 nut - Flange	FNUT-05	4	

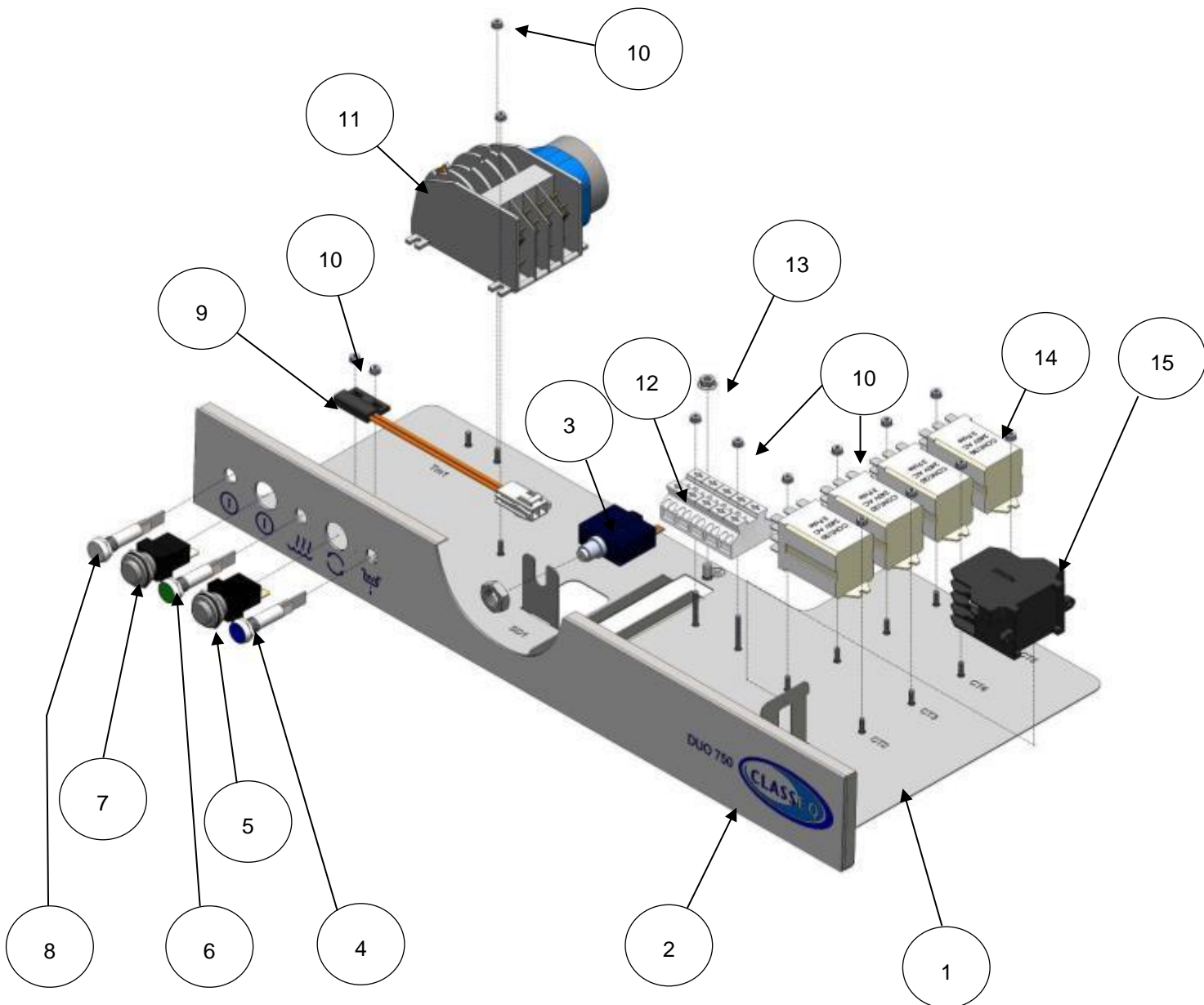
Chemical Pumps



Chemical Pumps

Item	Description	Part Number	Qty.	Note
1	Detergent Peristaltic Tube	052.2631	1	
2	Rinse Aid Peristaltic Tube	052.2632	1	
3	Detergent pump only	526.0008	1	
4	1A time delay sand filled ceramic fuse	593.0002	1	
5	Inline fuse holder	594.0001	1	
6	Chemical Pump Bracket	160.0011	1	
7	M5 Wing Nut	WNUT-05	2	
8	Rinse aid pump only	526.0007	1	
9	Bottle Weight kit - Rinse Aid	526.0013	1	Blue Tube
	Bottle Weight kit - Detergent	526.0012	1	Clear Tube
10	Rinse aid hose	052.2632	1	Not shown
11	Detergent hose	052.2631	1	Not shown

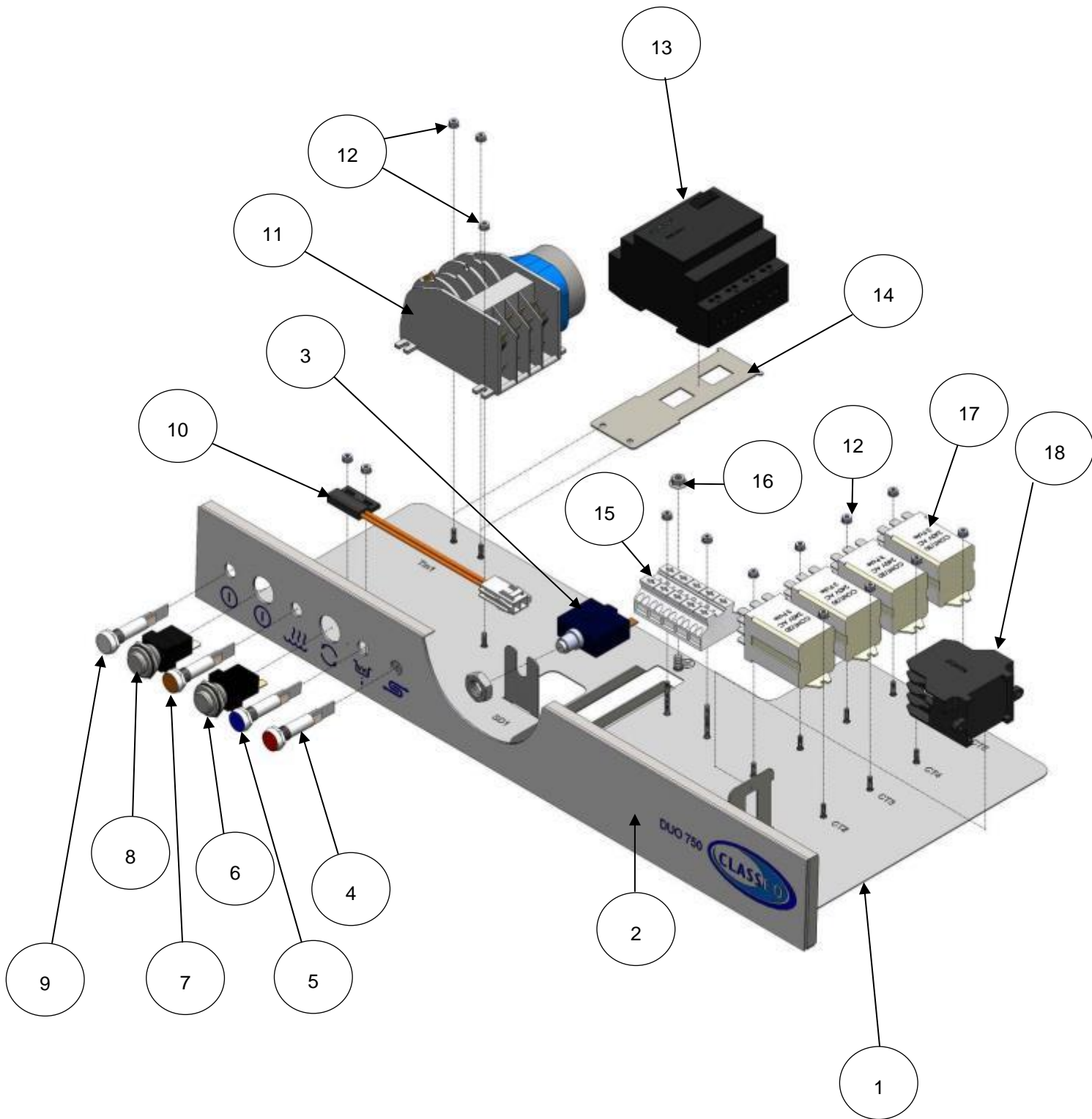
Control Panel



Control Panel

Item	Description	Part Number	Qty	Note
1	Control panel - Single skin	140.0003	1	
	Control panel - Double skin	140.0004		
2	Fascia label - Eco 3	940.0004	1	
	Fascia label - Hydro 700	940.0016		Drain pump machine
		940.0010		Gravity drain machine
	Fascia label - Hydro 750	940.0006		
	Fascia label - Duo 3	940.0007		
	Fascia label - Duo 750	940.0008		
3	Circuit breaker - 15 amp	TCB-04	1	Include nut & front plate
4	Indicator lamp - Blue	505.0004	1	
5	Cycle switch (Momentary)	501.0001	1	
6	Indicator lamp - Green	505.0002	1	
7	On / Off switch (Latching)	500.0001	1	
8	Indicator lamp - White	505.0010	1	
9	Door switch	570.0001	1	
10	M3 nut - Flange	FNUT-03	14	
11	Cycle timer - 2 minute	560.3120	1	Glass washer
	Cycle timer - 3 minute	560.3180		Dish washer
12	Terminal block	7.12.70	1	
13	M5 nut - Flange	FNUT-05	1	
14	Contactor - 3 pole changeover	CONT/30	3	Up to serial number XXXXX-1239
			4	After serial number XXXXX-1239
15	Contactor – 4 pole - 3NO - 1NC	CONTACTOR/4	1	
16	Wiring harness (not shown)	LM-P2-13A	1	H700 only
	Wiring harness (not shown)	LM-P2-30A		ECO 3, HYDRO 750, DUO 3 and DUO 750
17	Mains cable - 13 amps + UK plug	7.12.10/PAC	1	HYDRO 700 Only (Not shown)
	Mains cable - 30 amp single phase	7.12.10/3C		
	Mains cable - 30 amp 3 phase	7.12.10/4C		
18	Earth mini loom	LM-P2-EML	1	Not shown

Control Panel – Water Softener

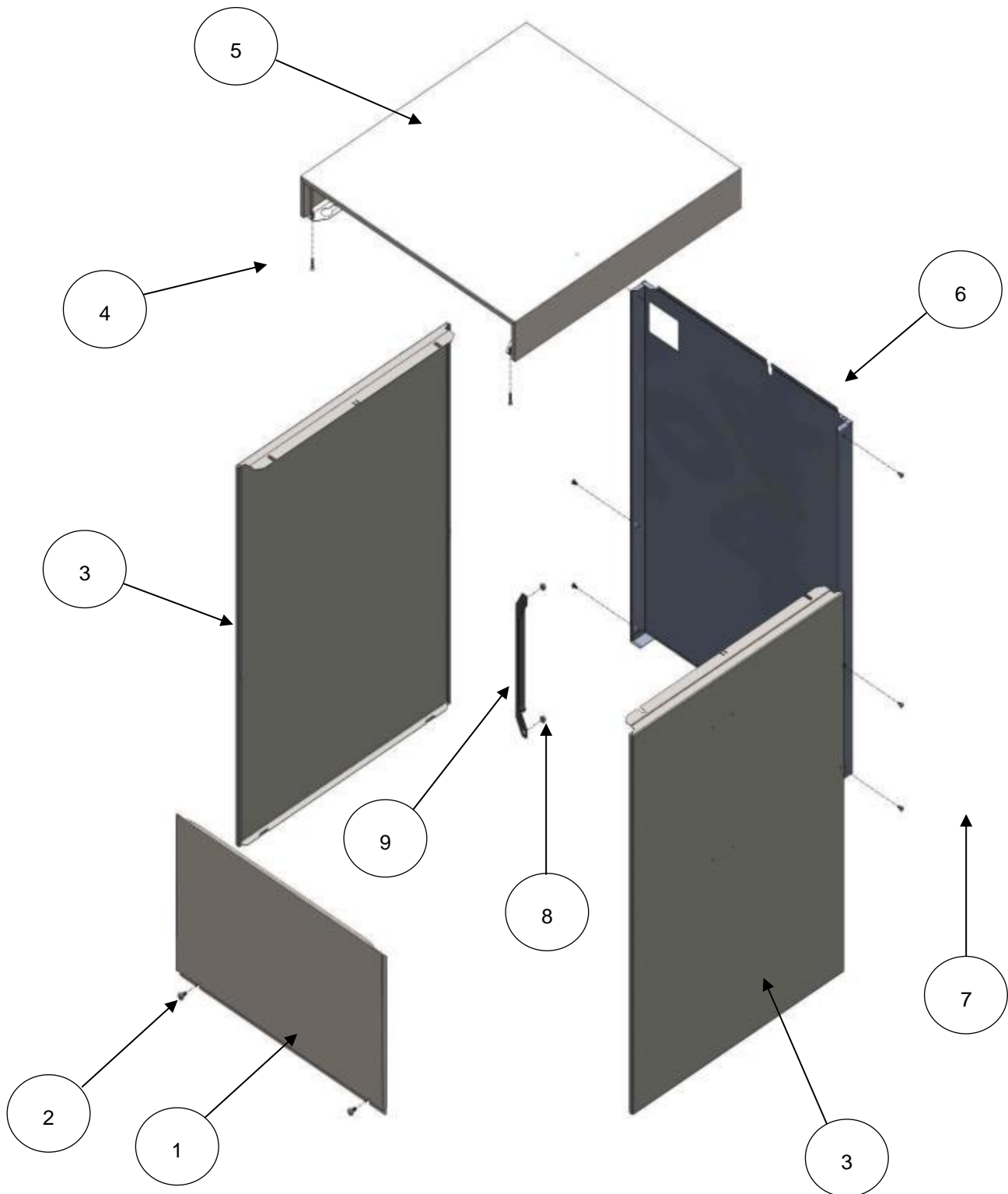


Control Panel – Water Softener

Item	Description	Part Number	Qty	Note
1	Control panel - Double skin - WS	140.0013	1	
2	Fascia label - DUO 3 WS	940.0087	1	
	Fascia label - DUO 750 WS	940.0088		
3	Circuit breaker - 4 Amp	TCB-01	1	Includes nut & front plate
4	Indicator lamp - Red	505.0001	1	
5	Indicator lamp - Blue	505.0004	1	
6	Cycle switch (Momentary)	501.0001	1	
7	Indicator lamp - Amber	505.0003	1	
8	On / Off switch (Latching)	500.0001	1	
9	Indicator lamp - White	505.0010	1	
10	Door switch	570.0001	1	
11	Cycle timer - 2 minute	560.3120	1	Glass washer
	Cycle timer - 3 minute	560.3180		Dish washer
12	M3 nut - Flange	FNUT-03	15	
13	Logo controller	ES-06	1	Quote Software version #
14	Bracket	164.0017	1	
15	Terminal block	7.12.70	1	
16	M5 nut - Flange	FNUT-05	1	
17	Contactor - 3 pole changeover	CONT/30	3	Up to serial number XXXXX-1239
			4	After serial number XXXXX-1239
18	Contactor – 4 pole - 3NO - 1NC	CONTACTOR/4	1	
19	Earth mini loom	LM-P2-EML	1	Not shown
20	Wiring harness (not shown)	LM-P2-STD-09	1	Main loom
21	Mains cable - 13 amps + UK plug	7.12.10/PAC	1	Not shown
	Mains cable - 30 amp single phase	7.12.10/3C		
	Mains cable - 13 amp 3 phase	7.12.10/4C		
22	1A time delay sand filled ceramic fuse	593.0002	1	Not shown
23	Inline fuse holder	594.0001	1	Not shown
24	Water softener mini loom	LM-P2-WS	1	Not Shown



Panels



Panels

Item	Description	Part Number	Qty	Note
1	Panel - Front lower	153.0002	1	
2	M6 x 12mm Button head screw	SC100	2	
3	Side panels	151.0002	2	DUO machines only
4	M4 x 20mm Counter sunk screw	SC102	2	
5	Panel - Top single skin	154.0003	1	HYDRO and ECO machines only
	Panel - Top double skin	154.0004		DUO machines only
6	Rear panel – Double skin	150.0004	1	DUO machines only
	Rear panel – Single skin	150.0009		HYDRO and ECO machines only
7	Screw M4x10mm Pozi pan head	SC111	6	
8	M5 nut - Flange	FNUT-05	6	
9	Bracket - Cabinet to base	163.0003	2	
10	Mains cable grommet	GROM-12	1	Not shown

Accessories

Description	Part Number	Qty	Note
Water supply hose (WRAS approved)	7.8.14X	1	DUO machines only
Basket (glass) - 500mm ²	700GBP	2	
Basket (dish) - 500mm ²	700DRP	1	
Basket (cutlery)	CBP	1	
Salt filling funnel	3502013	1	

Classic Glass & Dishwashing Systems Ltd

Winterhalter House
 Roebuck Way
 Knowlhill
 Milton Keynes
 MK5 8WH

ClassEq is a trading name of Classic Glass & Dishwashing Systems Ltd.



Spares department 0844 225 9252 spares@classeq.co.uk

Service department 0844 225 9245 service@classeq.co.uk